

## Description & Features

- Gauge with solid front blowout back for the ultimate in gauge safety
- 0.5% accuracy with stainless steel, full rotary movement and micrometer pointer for ease in calibration for 4.5" unit
- Stabilizer movement capable to dampened movement fights vibration and pulsation without the need of liquid filling

## Application

- Used where operator safety is a must

## Specifications

### Dial Size

4.5"(115mm), 6"(150mm)

### Pressure Range

From Vacuum to 0-20000 psi (1380 bar)

### Case

304 stainless steel case with blow out back and solid front

### Lens

Safety glass

### Ring

304 stainless steel with bayonet bezel

### Pointer

Aluminum black, micrometer adjustable

### Bourdon Tube

316L stainless steel

### Movement

Stainless steel

### Socket Material

316 stainless steel



### Connection

1/4", 3/8", 1/2" in NPT, BSP, BSPT

### Protection

IP65

### Ambient / Process Temperature

-40°F to 150°F (-40°C to 65°C) dry  
14°F to 150°F (-10°C to 65°C) glycerin filled

### Working Pressure

Maximum 25%-75% of full scale value

### Over-pressure Limit

30% for pressures range

### Accuracy

±0.5% - 4.5" dial  
±1% - 6" dial

### Options

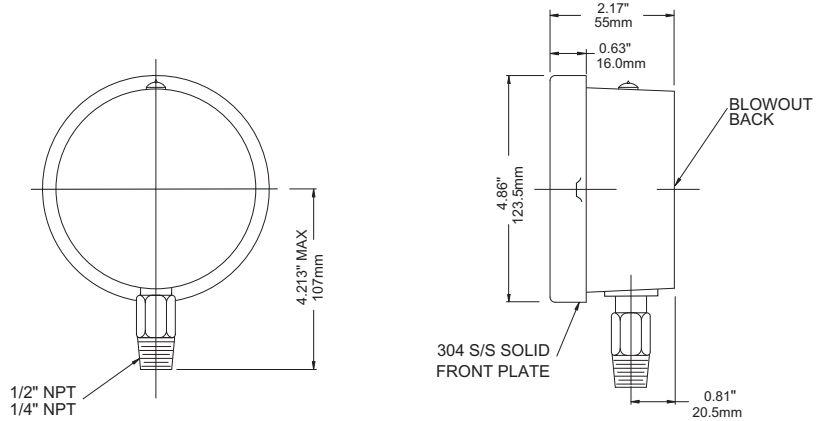
Monel tube and socket  
Stabilizer movements  
Glycerine, Silicone, Halocarbon and Fluorolube fill  
Other connection sizes available upon request

## Order Information

Series/ Dial Size/ Case Materials/ Wetted Parts/ Configuration/ Connection Size/ Thread/ Range/ Option

## Dimensions

### 4.5" Stainless Steel Safety Case Bottom Connection



### 6" Stainless Steel Safety Case Bottom Connection

