

## Description & Features:

- Field liquid fillable, phenolic solid front blow-out back safety case
- $\pm 0.5\%$  accuracy
- Stainless steel full rotary movement for longer life
- Micrometer pointer for ease in calibration
- Under & Overload stops
- 316 stainless steel, brass, Monel wetted parts
- Designed for sour gas applications requiring NACE Standards MR 0175-2002

## Applications

- Used where operator safety is a must
- Ideally suited for process, chemical and petroleum industries
- Highly corrosive media

## Specifications

### Dial Size

4.5"(115mm) white aluminum

### Case

Black impact resistant phenolic

### Solid Wall

Phenolic

### Lens

Tempered glass

### Ring Material

Phenolic

### Pointer

Aluminum black adjustable

### Bourdon Tube

316L stainless steel

### Movement

Stainless steel

### Socket Material

316 stainless steel

### Connection

1/4", 1/2", 3/8" in NPT, BSP, BSPT

### Gasket Materials

Silicone



### Welding

Plasma

### Protection

IP 65

### Working Pressure

Maximum 75% of full scale value

### Over-pressure Limit

130% for full scale value

### Ambient Temperature

-40°F to 150°F (-40°C to 65°C) dry  
14°F-150°F (-10°C-65°C) glycerine filled

### Process Temperature

-40°F to 150°F (-40°C to 65°C) dry  
14°F-150°F (-10°C-65°C) glycerine filled

### Accuracy

$\pm 0.5\%$

### Options

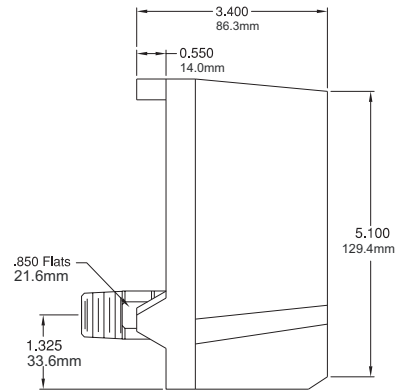
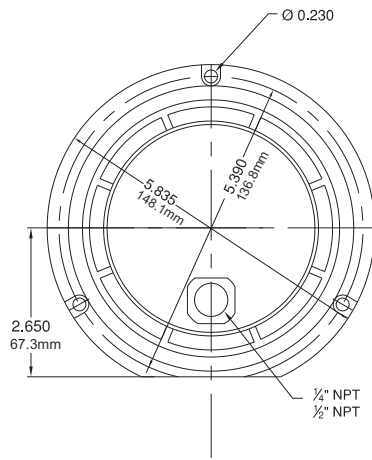
Safety glass .....	Ordering code: SA
Case material 316 SS .....	Ordering code: S
316L SS tube and socket .....	Ordering code: SC
Monel tube and socket .....	Ordering code: SW
Glycerine filled .....	Ordering code: SE
Silicone filled with viton seal .....	Ordering code: SD
NACE Standards Mr 0175-2002 ...	Ordering code: S5

## Order Information

Series/ Dial Size/ Case Materials/ Wetted Parts/ Configuration/ Connection Size/ Thread/ Range/ Option

## Dimensions

### 4.5" Back Connection



### 4.5" Bottom Connection with Integral Back Flange

