

PAM Ammonia Premium Gauge

Description & Features:

- Wide variety of Premium gauges to display pressure and temperature of ammonia systems
- 1.5% to 0.5% accuracy available
- 2.5" to 8.5" dial

Applications

- Used to display pressure and temperature on closed refrigeration systems



Specifications

Dial Size

2.5"(63mm), 4"(100mm), 6"(150mm), 8.5"(215mm)
10"(250mm) white aluminum

Pressure Range

From vacuum to 0-300psi (0-21bar)

Case/Ring

304 stainless steel for
2.5"(63mm), 4"(100mm) & 6"(150mm)
Aluminum case for 8.5"(215mm) & 10"(250mm)

Lens Material

Polycarbonate

Pointer

Aluminum black adjustable for
4"(100mm) and 6"(150mm)

Bourdon Tube

316stainless steel

Movement

304 stainless steel

Socket Material

316stainless steel

Connection

1/4", 1/2", 3/8" in NPT, BSP, BSPT

Protection

IP65 - 2.5", 4" & 6"
IP52 - 8.5" & 10"

Working Pressure

Maximum 75% of full scale value

Over-Pressure Limit

30% of full scale value

Ambient / Process Temperature

-40°F to 150°F (-40°C to 65°C) -dry
-4°F to 150°F (-20°C to 65°C) - liquid filled (8.5" & 10"dry)

Accuracy

±1.5% - 2.5" (63mm)
±1.0% - 4" (100mm) and 6"(150mm)
±0.5% - 8.5"(215mm) and 10"(250mm)

Options

U-Clamp
Front Flange
Back Flange
Glycerine fill
Other connection sizes available upon request

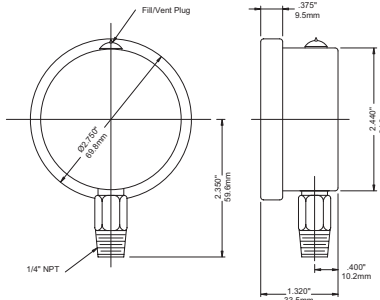
Order Information

Series/ Dial Size/ Case Materials/ Wetted Parts/ Configuration/ Connection Size/ Thread/ Range/ Option

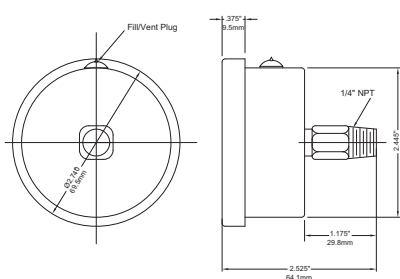
Dimensions

Premium

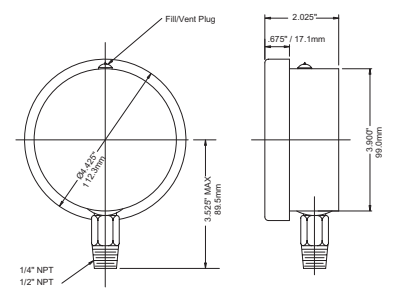
2.5" Bottom Connection



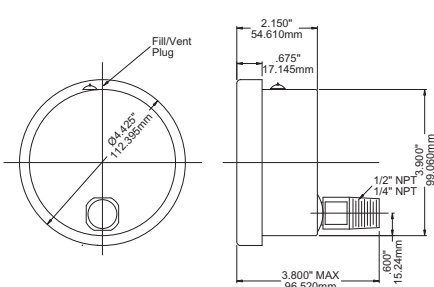
2.5" Back Connection



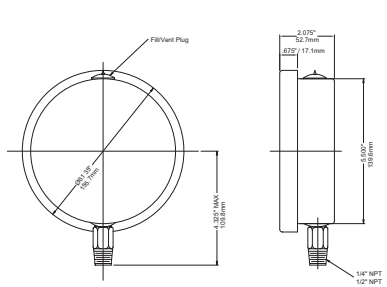
4" Bottom Connection



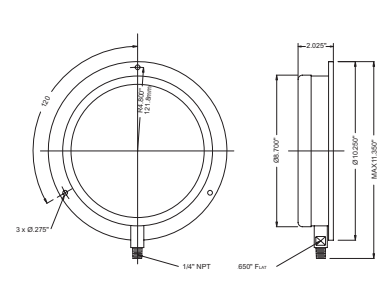
4" Back Connection



6" Bottom Connection

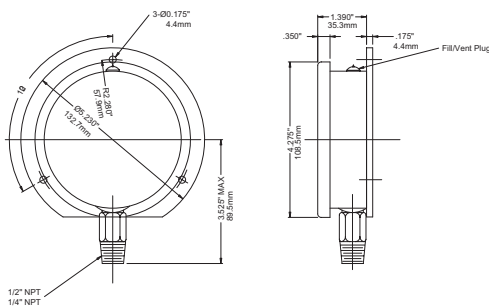


8.5" Bottom Connection

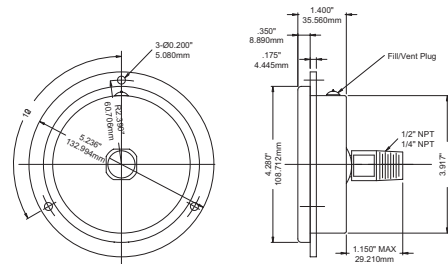


Quality

4" Bottom Connection

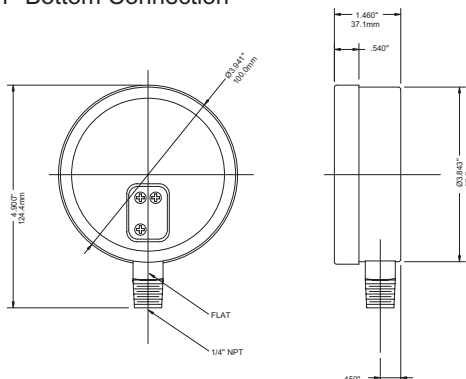


4" Back Connection



Economy

4" Bottom Connection



4" Back Connection

