

PFG Freon Pressure Gauge

Description & Features

- 2.5" - 6" durable freon gauges
- 2.5" dial have blue & red colored cases for easy identification
- Dual Scale (PSI/F)
- "Flutterless" movement on the 2.5"
- Chlorofluorocarbon(CFC) temperature scales (R-12, R-22, & R-502)
- Brass internals
- 1/4"NPT standard

Applications

- Refrigeration equipment and refrigeration recovery equipment

Specifications

Dial Size

2.5"(63mm), 4"(100mm) and 6"(150mm), white aluminum, (2.5" liquid filled, multi-coloured dial.)

Pressure Range

From vacuum to 0-500psi (0-34.5bar)

Case

2.5"(63mm): plastic, colour coded, blue for low pressure and red for high pressure, 4"(100mm) and 6"(150mm): steel painted back

Lens

2.5"(63mm) dry: plexiglass, threaded;
2.5"(63mm) liquid filled: polycarbonate lens;
4"(100mm) and 6"(150mm): glass

Ring

2.5"(63mm) liquid filled stainless steel, crimped
4"(100mm): brass, polished
6"(150mm): steel, painted black

Pointer

Aluminum anodized black
2.5"(63mm) liquid filled aluminum, anodized red.

Bourdon Tube

2.5"(63mm): Phosphor bronze, vibration free (flutterless movement-dry only);
4"(100mm) and 6"(150mm): Phosphor bronze



Connection

1/8", 1/4", 3/8", 1/2" in NPT, BSP, BSPT

Enclosure

IP52 Dry
IP65 Liquid Filled

Over-pressure Limit:

25% of full scale value

Working Pressure

Maximum 75% of full scale value

Ambient/Process Temperature

2.5"(63mm), 4"(100mm), 6"(150mm)
-40°F to 158°F (-40°C to 70°C)
2.5"(63mm) liquid filled - glycerine:
-13°F to 140°F (-25°C to 60°C)

Accuracy

± 2.0% - 2.5"(63mm)
± 1.0% - 4" (100mm) and 6" (150mm)

Option

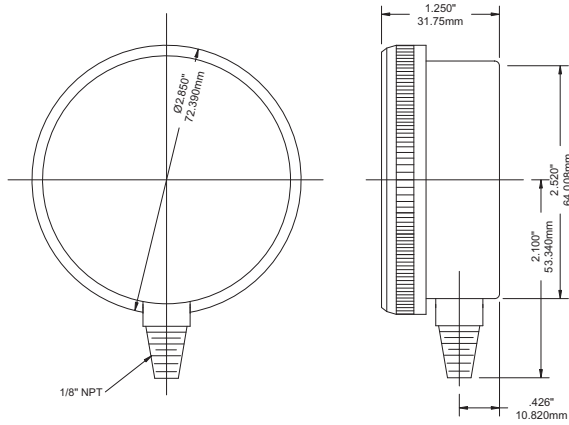
Back flange for 4" and 6"
Blister packaging available
Other ranges available upon request
Other connection sizes available upon request

Order Information

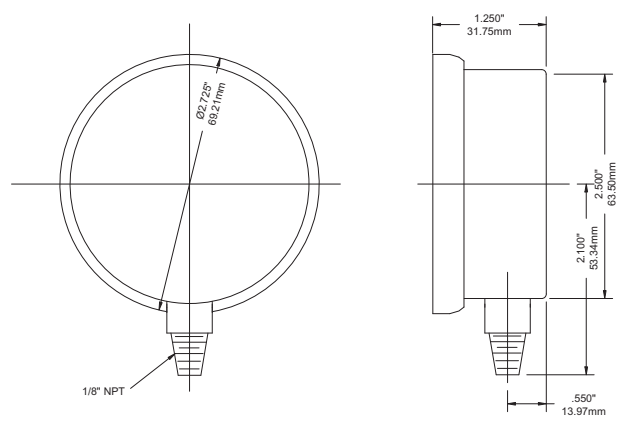
Series/ Dial Size/ Case Materials/ Wetted Parts/ Configuration/ Connection Size/ Thread/ Range/ Option

Dimensions

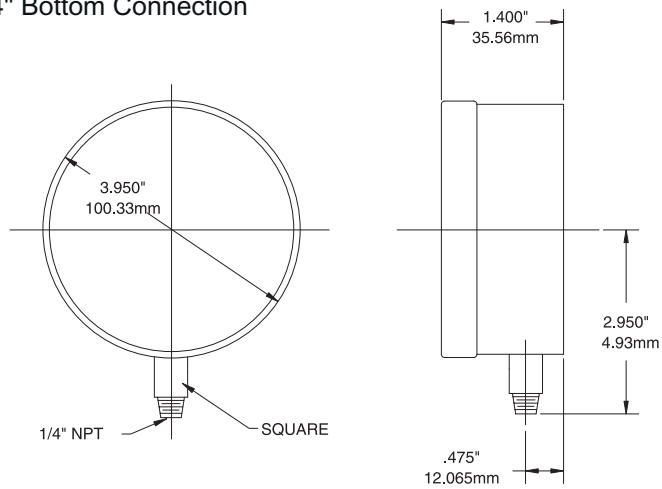
2.5" Bottom Connection



2.5" Bottom Connection Liquid Filled



4" Bottom Connection



6" Bottom Connection

