

# PBD Forged Brass Case Gauge

## Description & Features

- One piece forged brass case gauge designed for severe service conditions
- Liquid filled with an orifice restrictor

## Applications

- Used where heavy vibration and pulsation exist
- Industrial and hydraulic systems



## Specifications

### Dial Size

2.5"(63mm) & 4"(100mm)

### Pressure Range

From Vacuum up to 0-10000psi (0-690bar)

### Case

Forged brass, rugged

### Lens

Polycarbonate

### Ring

Gold ABS(2.5"), polished brass(4")

### Pointer

Aluminum black adjustable

### Socket Material

Brass

### Connection

1/4", 1/2", 3/8" in NPT, BSP, BSPT

### Wetted Parts

Brass

### Protection

IP65

### Accuracy

±1.5% - 2.5"(63mm)

±1.0% - 4"(100mm)

### Options

Glycerine fill

Front flange for 2.5" brass case

Other connection sizes available upon request

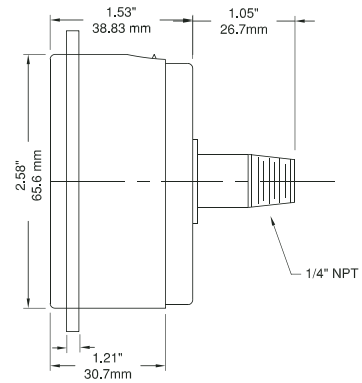
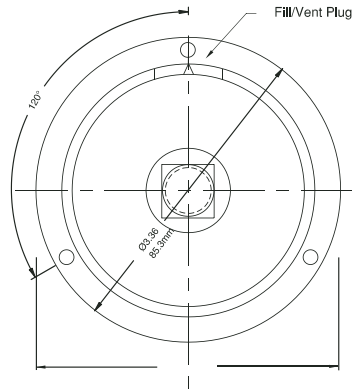
## Order Information

Series/ Dial Size/ Case Materials/ Wetted Parts/ Configuration/ Connection Size/ Thread/ Range/ Option

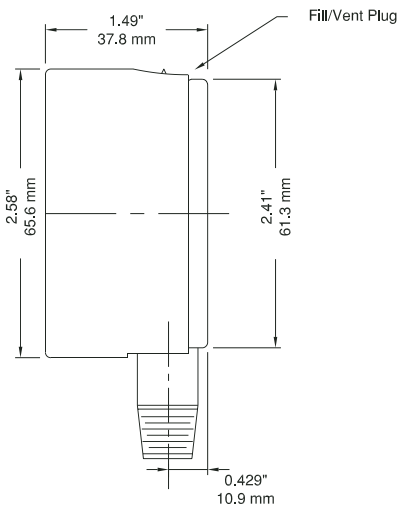
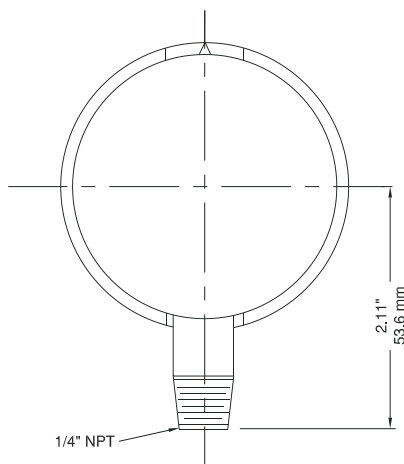
# PBD Forged Brass Case Gauge

## Dimensions

2.5" Forged Brass LF Gauge  
Back Connection



2.5" Forged Brass LF Gauge  
Bottom Connection



4" Forged Brass LF Gauge  
Bottom Connection

