

Description & Features

- High quality, heavy duty gauge ideal for corrosive environments
- Stainless steel
- 1/2"NPT bottom
- Stainless steel wetted parts
- Heavy duty movement and Bourdon Tube
- Restrictor screw standard

Applications

- Outdoor and severe ambient and process conditions
- Where harmful vibration and pulsation are present
- Designed to the specific needs of oil field equipment

Specifications

Dial Size

4" (100mm) white aluminum with black markings

Case Material

304 stainless steel

Lens

Polycarbonate standard; safety glass optional

Ring

304 stainless steel

Pointer

Aluminum, anodized black, micrometer adjustable

Socket

316 stainless steel, welded

Bourdon Tube

316 stainless steel, seamless drawn

Movement

304 Stainless steel with over and under stops

Welding

TIG

Connection

1/2" NPT standard, 1/4" NPT available

Over-pressure Limit

30% of full scale value

Working Pressure

Maximum 75% of full scale value

Ambient/Process Temperature

-40°F to 150°F (-40°C to 65°C) dry
14°F to 150°F (-20°C - 65°C)

Accuracy

±1.0% - 4" (100mm)

Option

SG-4=Safety Glass Lens

SRCO=Fluorolube Filled

GFCO=Glycerin Filled

SF4=Silicone Filled

STAB=Stabilizer Movement

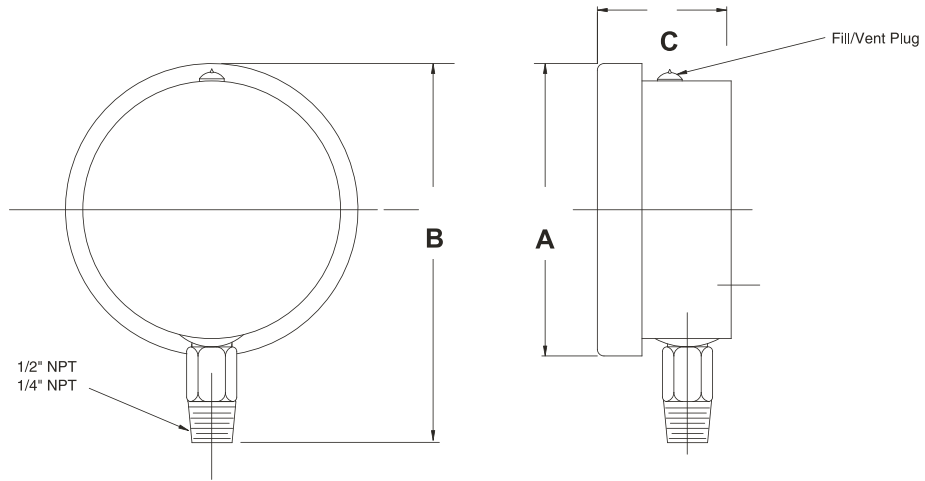
1/4" NPT connection available upon request



Order Information

Series/ Dial Size/ Case Materials/ Wetted Parts/ Configuration/ Connection Size/ Thread/ Range/ Option

Dimensions



Dial	A	B	C
4"	4" (100mm)	5.735" (145.7mm)	2.025" (51.4mm)