

# PTS Tube Stub Gauge

## Description & Features

- Gauge designed to be used with most standard double ferrule tube fittings, such as Parker A-Lok®
- Heavy duty all stainless steel liquid filled gauge
- Back, bottom, or panel mount configurations
- 1.5% Accuracy
- Facilitate 360 degrees orientation

## Application

- Specification designed to be utilized with tube fitting applications
- Allows installation where space is limited
- Used where Teflon free connection is needed
- Used where gauge alignment is critical

## Specifications

### Dial Size

2.5", 4" aluminum

### Pressure Range

From vacuum to 0-6000psi (0-414bar)

### Case Material

304 stainless steel

### Lens

Polycarbonate

### Ring

304 stainless steel, bayonet

### Pointer

Aluminum anodized black

### Bourdon Tube

316 stainless steel

### Movement

Stainless steel

### Socket Material

316 stainless steel



### Connection

1/4" tube stub

### Enclosure Rating

IP 65

### Working Pressure

75% of Full Scale

### Over Pressure Limit

115% Full Scale

### Ambient/Process Temperature

-40°F to 150°F (-40°C to 65°C) Dry  
-4°F to 150°F (-20°C to 65°C) Filled

### Accuracy

±1.5%

### Options

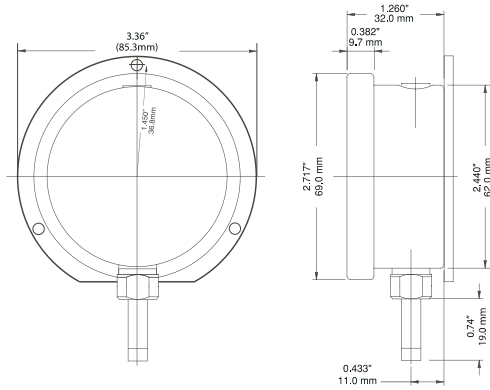
Glycerin fill  
Safety Glass  
Front flange  
Back flange  
U-Clamp for panel mounting  
Protective black rubber boot

## Order Information

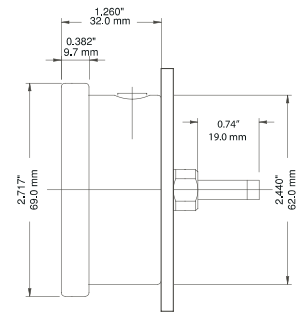
Series/ Dial Size/ Case Materials/ Wetted Parts/ Configuration/ Connection Size/ Thread/ Range/ Option

## Dimensions

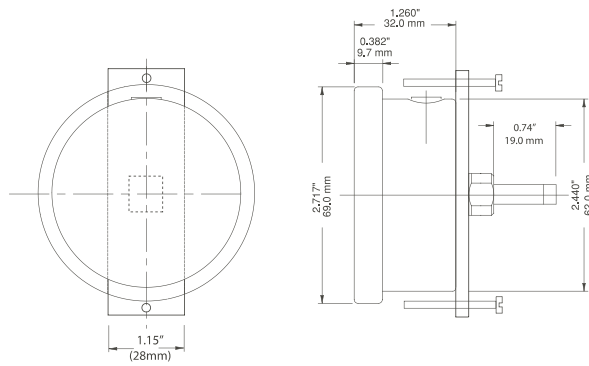
### 2.5" Bottom Connection Back Flange



### 2.5" Back Connection Back Flange



### 2.5" Back Connection U-Clamp



### 2.5" Back Connection Front Flange

