

Description & Features

- Highly accurate reading of low pressures
- Brass or stainless steel wetted part
- Ranges from 1000 mbar to as low as 6 mbar

Application

- Suitable for measuring gaseous media both corrosive and non-corrosive
- Used to measure natural gas pressure as well air flow indications and leak detection
- Vacuum pumps, air compressors, air filters, gas burners, vacuum ovens, suction regulators and respirators

Specifications

Stainless Steel Internals

Standard
EN837-3

Dial Size
2.5"(63mm), 4"(100mm) and 6"(160mm),
white aluminum

Case Material
304 stainless steel

Lens
Tempered glass (option: safety glass code: SA)

Ring Material
304 stainless steel

Pointer
Aluminum black adjustable

Capsule Material
316 SS

Movement
Stainless steel

Socket Material
316 stainless steel



Connection
1/4", 1/2", in NPT, G

Protection
IP 54 per EN 60529 / IEC 529
(for filling liquid IP 65)
Note: only dial size 100mm or 160mm
with the range is above 160mbar)

Working Pressure
75% of full scale value

Over-pressure Limit
30% of full scale value

Ambient / Process Temperature
-40°F to 150°F (-40°C to 65°C)

Accuracy
±1.6%...For dial size 4" or 6" and range is above 16mbar
±2.5%...For dial size 2.5"

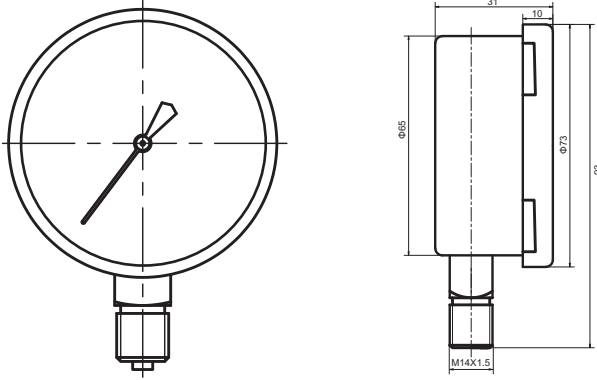
Options
U-Clamp
Front flange
Back flange
Case material 316 SS
1% Accuracy
Oil glycerine filled
Oil silicone filled

Order Information

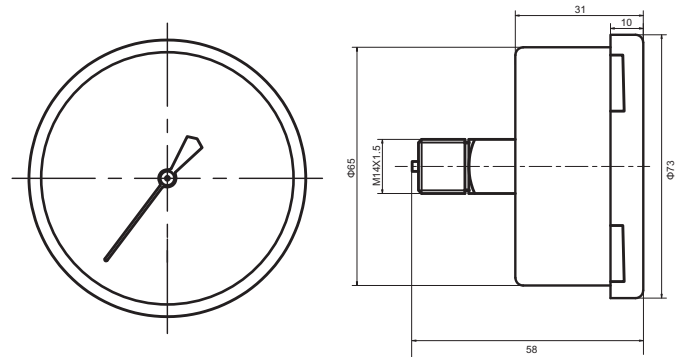
Series/ Dial Size/ Case Materials/ Wetted Parts/ Configuration/ Connection Size/ Thread/ Range/ Option

Dimensions

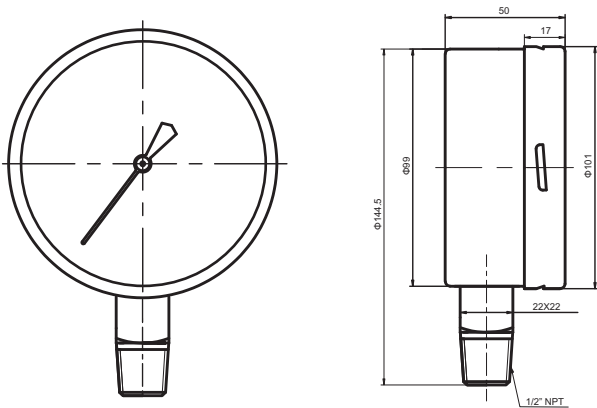
2.5" (63mm) Bottom Connection



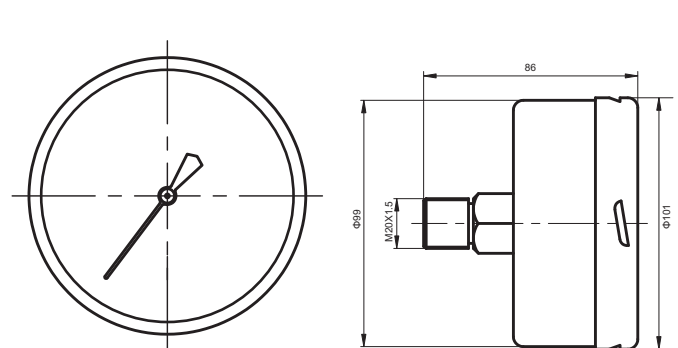
2.5" (63mm) Centre Back Connection



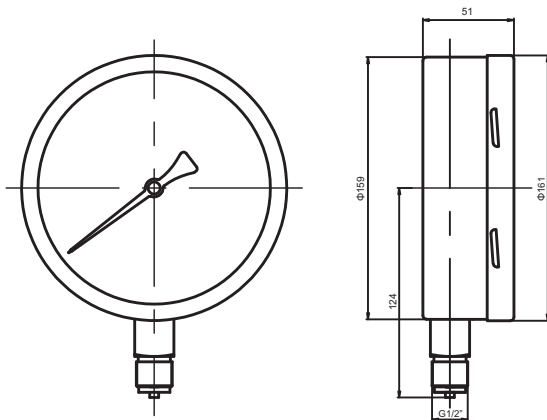
4" (100mm) Bottom Connection



4" (100mm) Centre Back Connection



6" (160mm) Bottom Connection



6" (160mm) Centre Back Connection

