

## Description & Features

- Highly accurate reading of low pressures
- Stainless steel wetted part
- Ranges from 1000 mbar to as low as 6 mbar

## Application

- Suitable for measuring gaseous media both corrosive and non-corrosive
- Used to measure natural gas pressure as well air flow indications and leak detection
- Vacuum pumps, air compressors, air filters, gas burners, vacuum ovens, suction regulators and respirators

## Specifications

**Standard**  
EN837-3

**Dial Size**  
2.5"(63mm), 4"(100mm) and 6"(160mm),  
white aluminum

**Pressure Range**  
Range from 4 Kpa to 60 Kpa of dial size 4" or 6"  
Range from 2.5 Kpa to 60 Kpa of dial size 2.5"  
Note: the range from 0-6 Kpa to 0.6 Kpa is special request

**Case Material**  
304 stainless steel

**Lens Material**  
Tempered glass (option: safety glass code: SA)

**Ring Material**  
304 stainless steel

**Pointer**  
Aluminum black adjustable

**Capsule Material**  
316L SS

**Movement**  
Stainless steel

**Socket Material**  
316 stainless steel

**Connection Size**  
1/4", 1/2", in NPT, G, BSP, BSPT and M20x1.5

## Order Information

Series/ Dial Size/ Case Materials/ Wetted Parts/ Configuration/ Connection Size/ Thread/ Range/ Option



### Protection

IP 54 per EN 60529 / IEC 529

Note: only the range is above 160 mbar and dial size 100mm or 160mm can be filled oil

### Working Pressure

75% of full scale value

### Over-pressure Limit

30% of full scale value

### Ambient / Process Temperature

-40°F to 150°F (-40°C to 65°C)

### Accuracy

±1.6% For dial size 4" or 6" the range from 4 Kpa to 60 Kpa or from vacuum to 4 Kpa

±2.5% For dial size 2.5" the range from 2.5 Kpa to 60 Kpa or from vacuum to 2.5 Kpa

For dial size 4" or 6" the range from 1 Kpa to 2.5 Kpa

### Options

Front flange

Back flange

Case material 316 SS

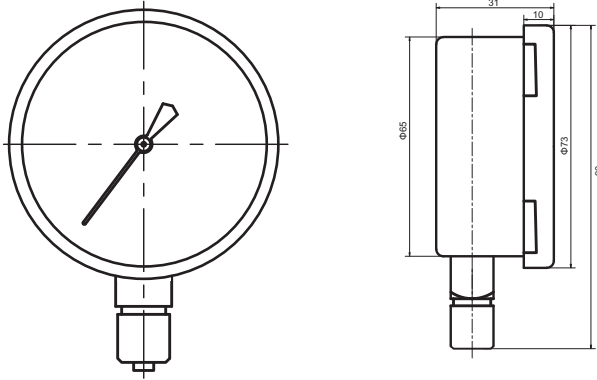
Safety Glass

Filled glycerine

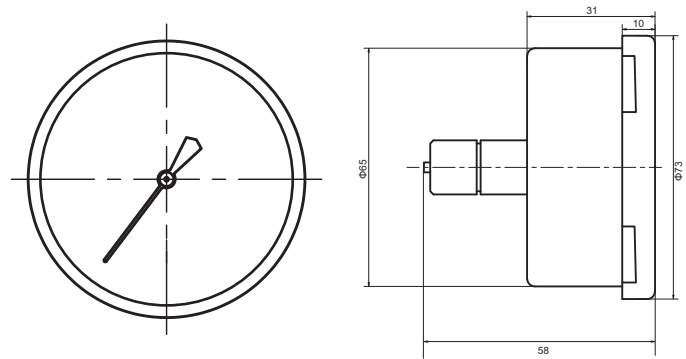
Filled silicone

## Dimensions

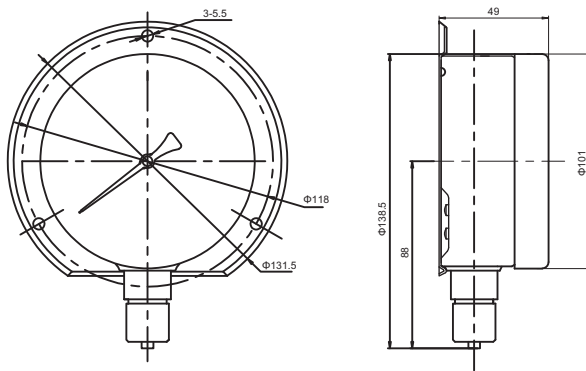
2.5" (63mm) Bottom Connection



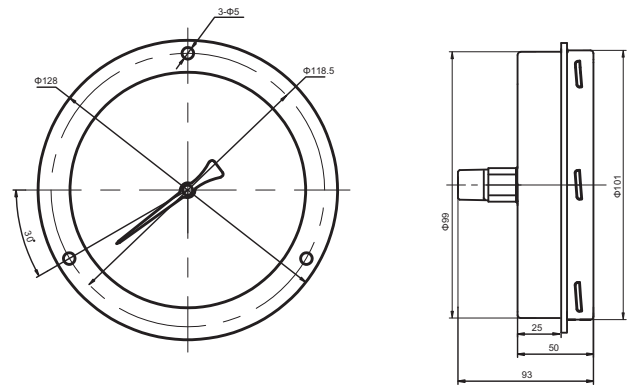
2.5" (63mm) Centre Back Connection



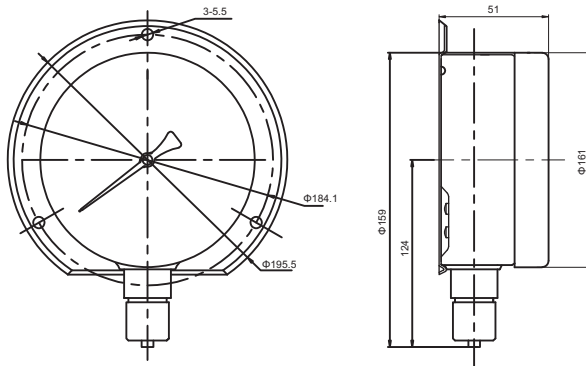
4" (100mm) Bottom Connection with optional Front Flange



4" (100mm) Centre Back Connection with optional Front Flange



6" (160mm) Bottom Connection with optional Front Flange



6" (160mm) Centre Back Connection with optional Front Flange

