

Description & Features:

- Range from 0-25mbar to 0-10bar
- 4" or 6" dial
- Accuracy class 1.6%



Specifications

Dial Size

4"(100mm), 6"(150mm) white aluminum

Pressure Range

From 0-25mbar to 0-10bar (0-0.36psi to 0-145psi)

Case Material

304 stainless steel

Ring Material

304 stainless steel bayonet

Pointer

Aluminum with micrometer adjustment

Movement

Stainless steel

Connection

316L stainless steel threaded G1/2B

Protection

IP 55 standard
IP 65 not fillable

Window

Glass

Liquid Filling

Dry

Blow out device

Blow out plug

Pressure element

316Ti stainless steel diaphragm

Ambient Temperature

-20°C to 60°C (-4°F to 140°F)

Process Temperature

Maximum 120°C (248°F)

Accuracy

±1.6%

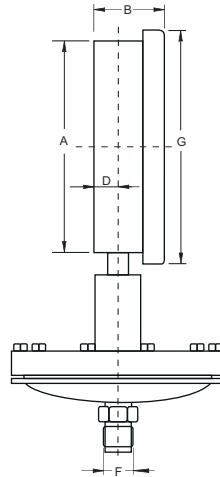
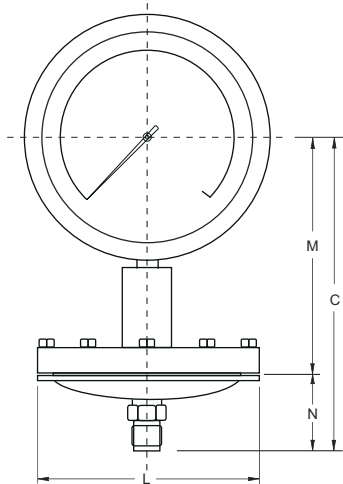
Options

IP65 casing
Liquid filled
Laminated safety glass
316 stainless steel case
Calibration certificate
Degreasing for oxygen service

Order Information

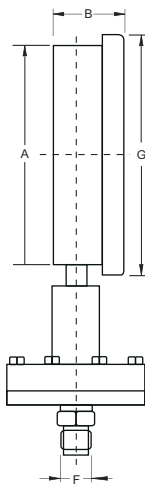
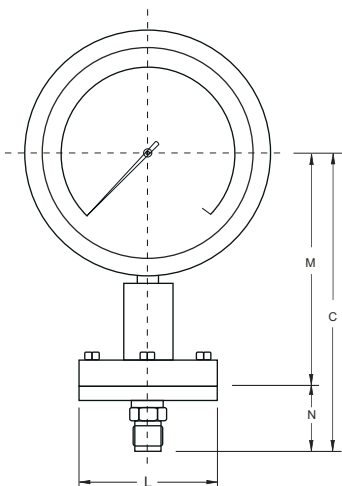
Series/ Dial Size/ Case Materials/ Wetted Parts/ Configuration/ Connection Size/ Thread/ Range/ Option

Dimensions



For range 0-25 mbar to 0-600 mbar

DN	A	B	C	D	E	F	G	H	I	L	M	N	∅ for 120°	Weight (kg)
100	103	50	188	16.5		1/2	118			150	139	47		5.80
150	150	50	188	16.5		1/2	166			150	163	47		6.13



For range 0-1 bar to 0-2.5 bar

DN	A	B	C	D	E	F	G	H	I	L	M	N	∅ for 120°	Weight (kg)
100	103	50	183	16.5		1/2	118			95	139	44		2.30
150	150	50	207	16.5		1/2	166			95	163	44		2.63