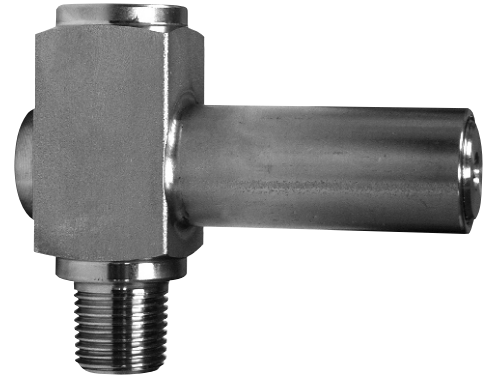


SOP Over Pressure Protector

Description & Features

pressure instruments against surges and pulsations. Setpoint adjustments are made by manipulating an external adjusting screw and lock nut. The protector automatically shuts off pressure to the instrument once the adjustable preset pressure is exceeded. This instrument is available in Bellows and Piston type for low and high pressures respectively.



Specifications

Body

Bellows Type: 316 stainless steel
Piston Type: 316 stainless steel

Burst Pressure

10000 psi

Connection

1/4" or 1/2" NPT male x female standard

Ordering Code

SOP - [] - [] - []

Connection Size

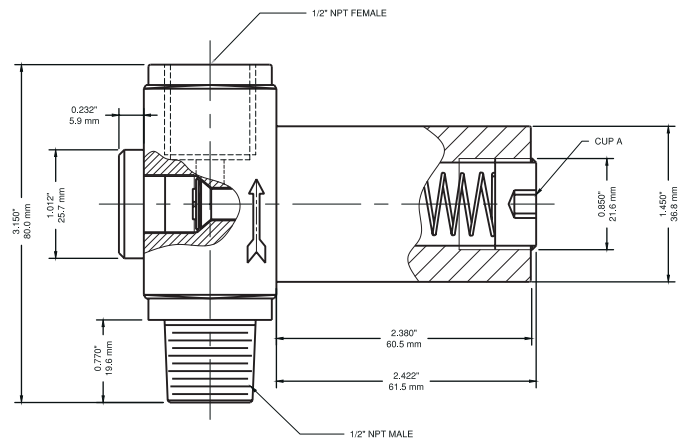
1/4" 4
3/8" 3
1/2" 2

Connection Thread

NPT N
BSP B
BSPT T

Range

3-20 psi 1
15-90 psi 2
90-230 psi 3
140-395 psi 4
435-1160 psi 5
870-1493 psi 6
1450-5800 psi 7



Cup A- Turn clockwise to increase set point value
Turn counterclockwise to decrease set point value