

**Description & Features:**

- Versatile, inert gas and vapor remote thermometers
- 2.5" to 6" dials available
- Brass or stainless steel capillary and bulbs
- Direct with capillary
- Range between -40 and 600°C

**Specifications****Dial Size**

2.5"(63mm), 3.5"(90mm), 4"(100mm), 4.5"(115mm)  
and 6"(150mm) white aluminum with black figures

**Case Material**

304 stainless steel

**Lens Material**

Polycarbonate or glass

**Accuracy**

±2.0% of full scale for vapor fill

**Pointer**

Aluminum with micrometer adjustment

**Working Temperature**

From 1/10 to 3/4 of full scale

**Capillary**

Double braided copper  
Stainless steel, plain  
Stainless steel, armor

**Capillary length**

Maximum 25 meters

**Protection**

IP 55

**Thermal drift**

±0.6% for every 10°C variation from 20°C

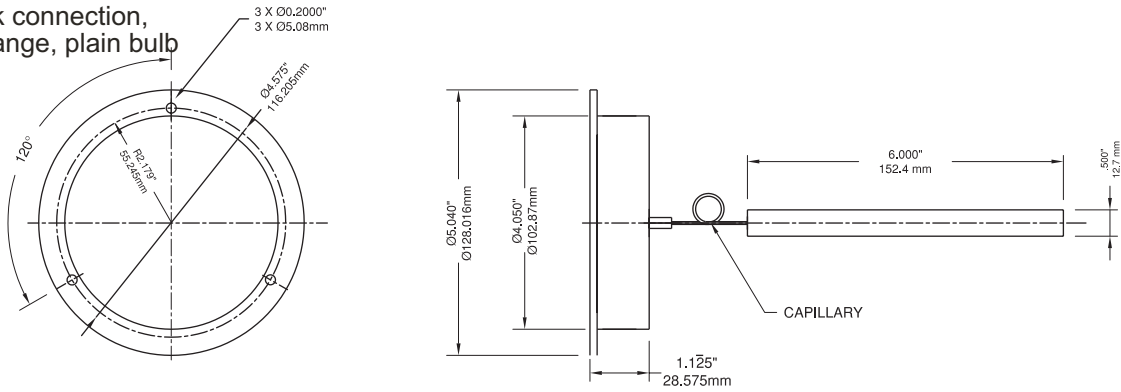
**Options**

Duct flange  
Sliding Union  
Metal Tag Plate  
Laminated Safety Glass  
Other ranges are available upon request

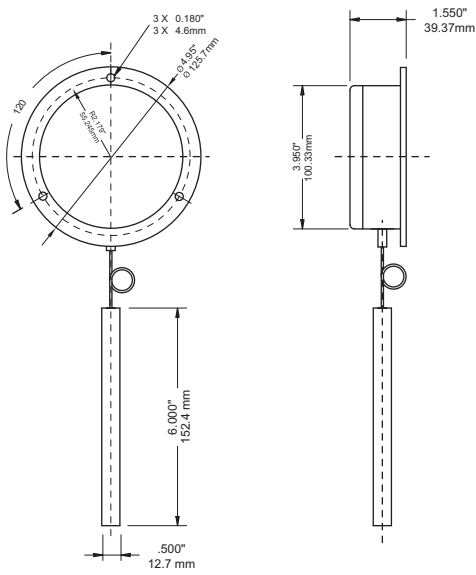
# TRR Remote Reading Thermometer

## 304 ss case

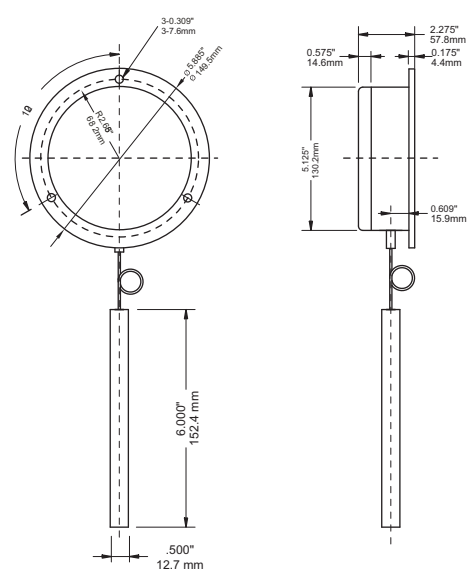
4" back connection, front flange, plain bulb



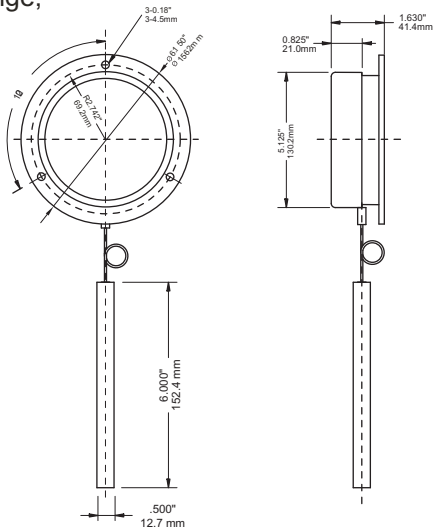
4" bottom connection, back flange, plain bulb



4.5" bottom connection, back flange, plain bulb



4.5" bottom connection, back flange,



6" gas remote reading, bottom connection, back flange, plain bulb

