

## Description & Features

A durable and accurate thermometer with a rigid connection

- Separable well
- Rugged steel case
- Bi-Metallic element
- Dual scale F/C
- Back or bottom connected

## Applications

- Hot Water Lines, Boilers & Hydronic Heating

## Specifications

### Dial Size

3.5"(90mm), 4"(100mm) aluminum with black markings

### Case

Black steel

### Lens Material

Glass

### Ring

Steel chrome plated

### Pointer

Aluminum, painted black

### Stem Material

Brass

### Thermowell

Brass, 1/2"NPT(standard), separable

### Recalibrator

Standard

### Movement

Bimetallic coil

### Ambient Temperature

-22°F to 158°F (-30°C to 70°C)

### Process Temperature

-22°F to 250°F (-30°C to 120°C)

### Over Range Enclosure Rating

25% of full scale value

### Enclosure Rating

IP54

### Reset

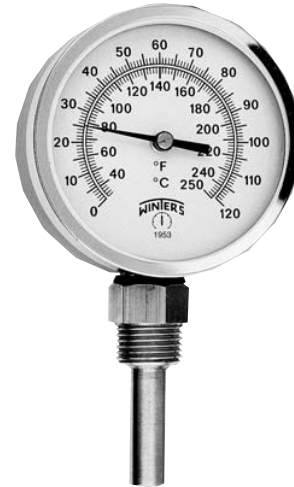
Standard

### Accuracy

±2.0% of full scale

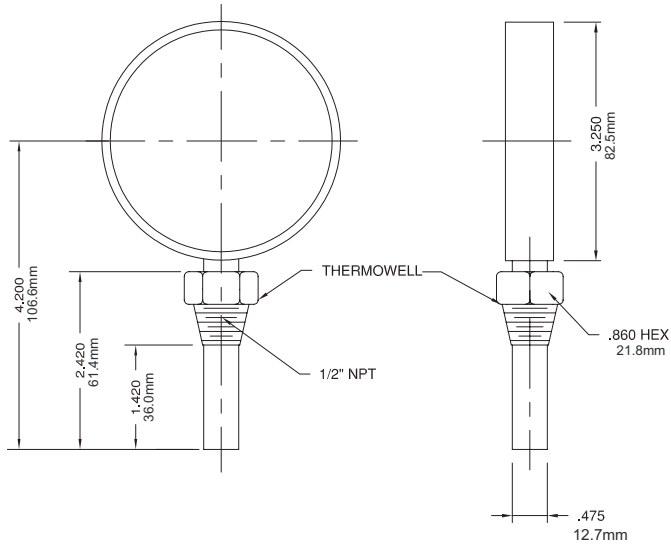
### Options

304 stainless steel thermowell

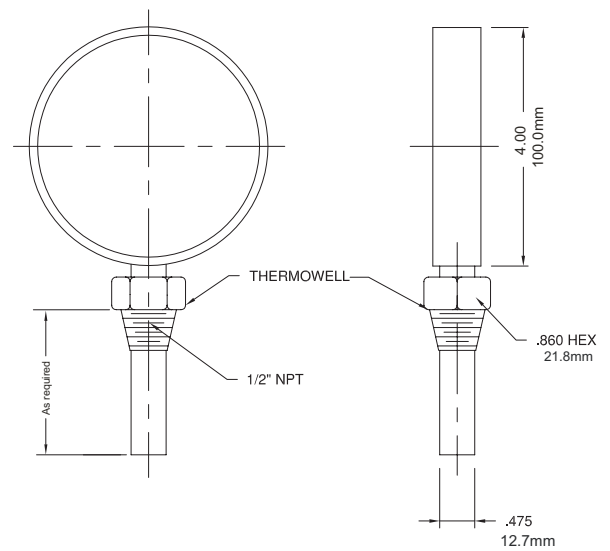


## Dimensions

### 3.5" Bottom



### 4" Bottom



## Ordering Code TBT

TBT - [ ] - [ ] - [ ] - [ ] - [ ] - [ ] - [ ] - [ ]

### Dial Size

3.5" .....	3 5
4" .....	4 0

### Configuration

Back .....	0
Bottom .....	1

### Stem Length

2.5" .....	0 2 5
3" .....	0 3 0
4" .....	0 4 0
Others(in inches X10) .....	x x x

### Thermowell Material

Brass .....	B
304SS .....	2

### Thread Size

1/2" .....	2
Special .....	Z

### Thread Type

NPT .....	N
BSP .....	B
BSPT .....	T
M20 x 1.5 .....	M

### Range

30/120 F(0/50 C) .....	B 1 1
30/250°F(0/120°C) .....	B 0 1
0/120°F(-17/50°C) .....	B 0 2
-22/120°F(-30/50°C) .....	B 0 3