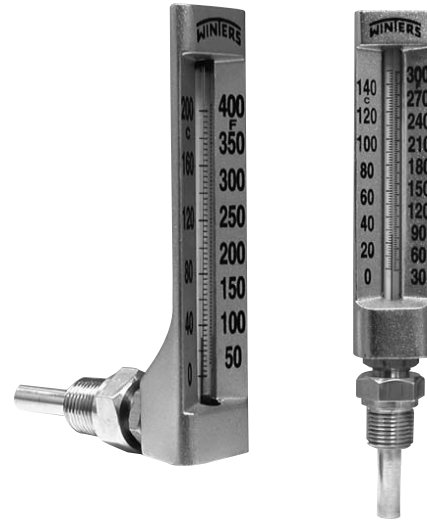


TAG HVAC Gold Case Thermometers

Applications

Be used in heating, plumbing, air conditioning and ventilation (HVAC) applications. Winters gold-coloured aluminum case thermometers are available in 4 1/2" (110mm) or 6" (150mm) scales. Offers ruggedness and durability in harsh industrial environments. A brass socket 1/2" NPT is standard (stainless steel optional) and the thermometer is available in either a straight model (bottom connection) or 90 angle model (back connection)



Specifications

Body

4.5"(110mm) or 6"(150mm)aluminum, anodized gold

Scale

Black markings

Tube

Class cushioned

Liquid Filling

Blue organic liquid filled triangle glass tube

Stem

Brass standard, Stainless Steel option

Connection

1/2" NPT, (1/2" BSP optional)

Swivel Nut

Brass standard, or stainless steel optional (swivel & stem one unit)

Operating Pressure

Maximum 710 psi (50bar)

Ambient Temperature

-40°F-400°F (-40°C-200°C)

Accuracy

±2.0%

Operating Temperature

Maximum 80% of full scale value recommended

Protection

IP 65

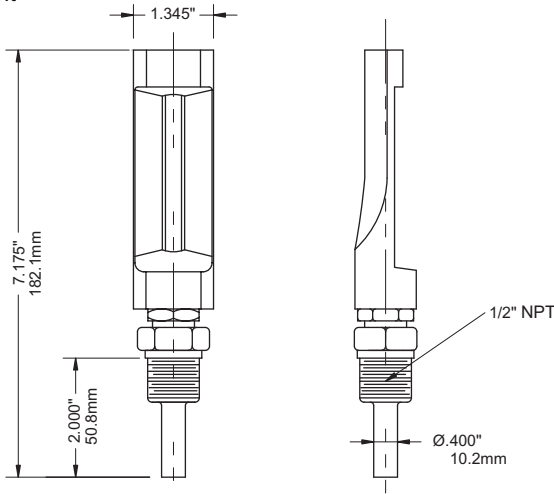
Option

304 stainless steel thermowell

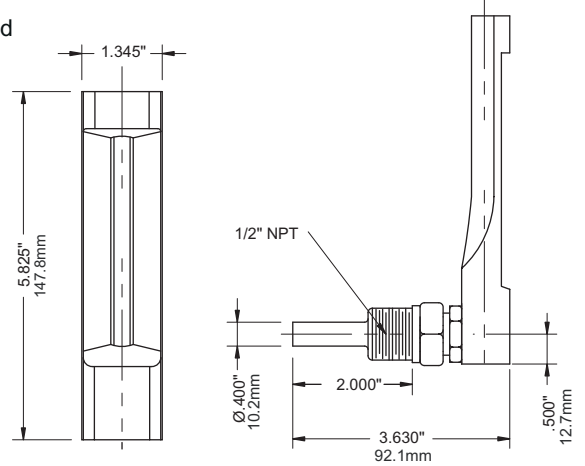
TAG HVAC Gold Case Thermometers

Dimensions

4.5" Straight



6" Angled



Ordering Code TAG

TAG - [] - [] - [] - [] - [] - [] - []

Scale Size

4.5" (115mm) 4
6.0" (150mm) 6

Configuration

Angle A
Bottom B

Stem Length

2" 0 2 0
3" 0 3 0
4" 0 4 0
Others(in inches X10) x x x

Stem Material

Brass B
304SS 2

Thread Size

1/2" 2
3/4" 4
Special Z

Thread Type

NPT N
BSP B
BSPT T
M20 x 1.5 M

Range

-40/110 F(-40/40 C) B 4 1
20/180 F(-5/80 C) B 2 1
30/120 F(0/50 C) B 3 1
30/240 F(0/115 C) B 3 2
30/300 F(0/150 C) B 3 3
50/400 F(10/200 C) B 5 4