

## Description & Features

- An all-purpose, economical thermometer with a vertical sensing tube and case
- Separable well
- Impact resistant polypropylene case
- Red liquid-in glass
- Dual scale (F/C)
- Back or bottom connected

## Applications

- Hot Water Lines, Boilers, Heating, Ventilation and Air Conditioning

## Specifications

### Scale

Aluminum, painted white with black marking

### Case

Polypropylene, black

### Lens Material

Glass

### Accuracy

±2.0%

### Tube

Glass, cushioned

### Liquid Filling

Blue organic liquid filled triangle glass tube

### Stem Material

Brass

### Swivel Nut

Brass

### Thermowell

Brass 1/2" NPT (standard)

### Operating pressure

Maximum 710psi (50kg/cm)

### Ambient Temperature

-40°F to 122°F (-40°C to 50°C)

### Protection

IP54

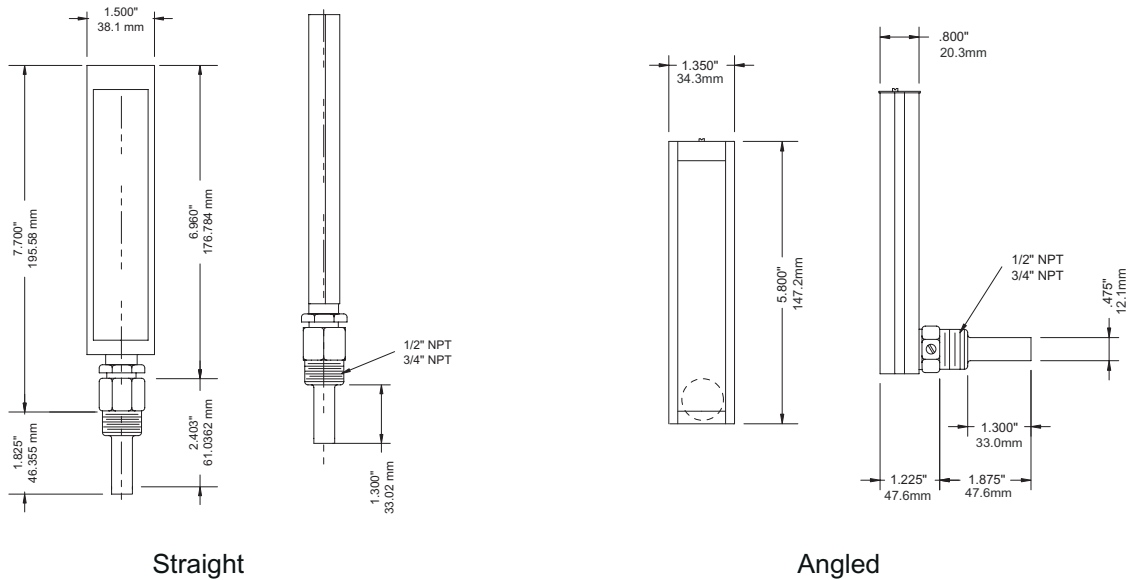
### Options

1/2" BSP connection  
3/4" NPT or BSP connection  
304 stainless steel thermowell



# TAS Industrial 5AS Thermometer

## Dimensions



## Ordering Code TAS

TAS - [ ] - [ ] [ ] [ ] - [ ] - [ ] - [ ] - [ ] [ ] [ ]

### Configuration

Angle ..... A  
 Bottom ..... B

### Stem Length

2" ..... 0 2 0  
 3" ..... 0 3 0  
 4" ..... 0 4 0  
 Others(in inches X10) ..... x x x

### Stem Material

Brass ..... B  
 304SS ..... 2

### Thread Size

1/2" ..... 2  
 3/4" ..... 4  
 Special ..... Z

### Thread Type

NPT ..... N  
 BSP ..... B  
 BSPT ..... T  
 M20 x 1.5 ..... M

### Range

-40/110 F(-40/40 C) ..... B 4 1  
 20/180 F(-5/80 C) ..... B 2 1  
 30/240 F(0/115 C) ..... B 3 2  
 30/300 F(0/150 C) ..... B 3 3  
 50/400 F(10/200 C) ..... B 5 4