

# TAW All Stainless Steel Thermometer

## Applications

Be used in heating, plumbing, air conditioning and ventilation (HVAC) applications. Winters gold-coloured aluminum case thermometers are available in 4" (100mm) 6" (150mm) 8" (200mm) scales. Offers ruggedness and durability in harsh industrial environments. A stainless steel socket 1/2" NPT is standard (stainless steel optional) and the thermometer is available in either a straight model (bottom connection) or 90 angle model (back connection)



## Specifications

### Body

4."(100mm) 6"(150mm) or 8" (200mm) aluminum, anodized gold

### Scale

Black markings

### Tube

Class cushioned

### Liquid Filling

Blue organic liquid filled triangle glass tube (-40°C-200°C )  
Mercury filled triangle glass tube (200°C-600°C )

### Stem

Brass standard, Stainless Steel option

### Connection

1/2" NPT, (1/2" BSP optional)

### Swivel Nut

Brass standard, or stainless steel optional (swivel & stem one unit)

### Operating Pressure

Maximum 710 psi (50bar)

### Ambient Temperature

-40°F-400°F (-40°C-200°C)

### Accuracy

±2.0%

### Operating Temperature

Maximum 80% of full scale value recommended

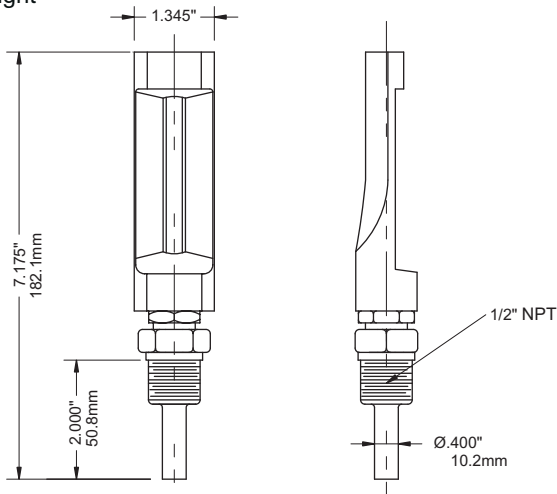
### Protection

IP 65

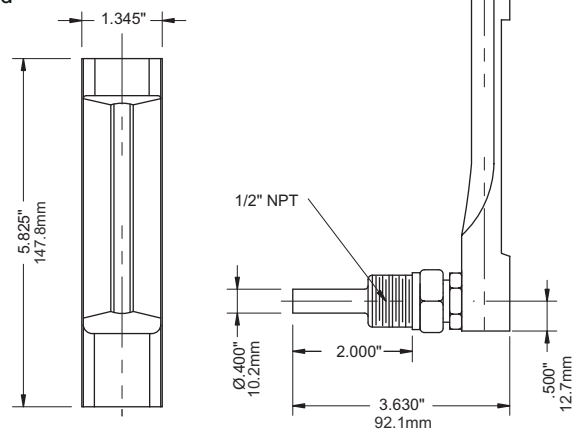
# TAW All Stainless Steel Thermometer

## Dimensions

4.5" Straight



6" Angled



## Ordering Code TAW

TAW - [ ] - [ ] - [ ] - [ ] - [ ] - [ ] - [ ]

### Scale Size

4.0" (100mm) .....	4
6.0" (150mm) .....	6
8.0" (150mm) .....	8

### Configuration

Angle .....	A
Bottom .....	B

### Stem Length

2" .....	0 2 0
3" .....	0 3 0
4" .....	0 4 0
Others(in inches X10) .....	x x x

### Stem Material

Brass .....	B
304SS .....	2
316SS .....	6

### Thread Size

1/2" .....	2
3/4" .....	4
Special .....	Z

### Thread Type

NPT .....	N
BSP .....	B
BSPT .....	T
M20 x 1.5 .....	M

### Range

-40/110 F(-40/40 C) .....	B 4 1
20/180 F(-5/80 C) .....	B 2 1
30/120 F(0/50 C) .....	B 3 1
30/240 F(0/115 C) .....	B 3 2
30/300 F(0/150 C) .....	B 3 3
50/400 F(10/200 C) .....	B 5 4