

Description & Features

- An inexpensive panel mounted digital thermometer for a remote reading
- 2" & 2.5" stainless steel case
- Panel mounted with a front flange
- 4 digit display
- Lithium battery powered
- Dual scale switch (F/C)
- 4 feet of PVC coated Capillary

Applications

- Freezers, walk-in refrigeration units, food storage cabinets, heating & ventilation equipment

Specifications

Dial Size

Polycarbonate

Case

304 stainless steel, polished

Lens

Polycarbonate

Capillary

PVC, 4'(1.21m) long, standard

Probe

304 stainless steel

Power Supply

Solar cell with lithium battery back-up

Smallest Reading

0.1°F or 0.1°C



Ambient Temperature

14°F to 140°F (-10°C to 60°C)

Process Temperature

-58°F to 302°F (-50°C to 150°C)

Accuracy

±2°F (±1°C)

Options

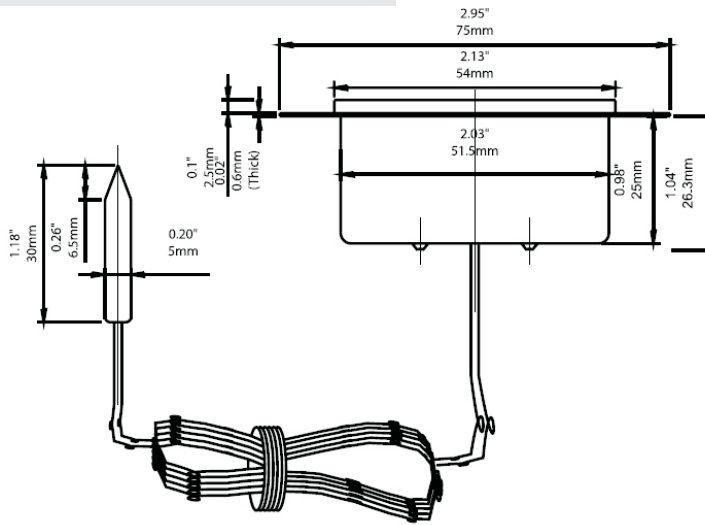
PVC cable available in lengths up to 108"(27cm) (-58/158 F only)

-58/302°F only (single scale) range available upon request on 2" dials.

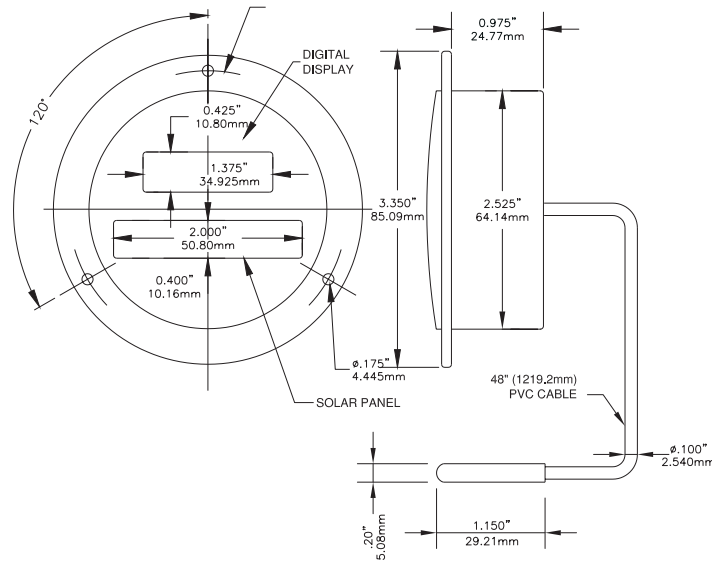
-50/150°C only (single scale) range available upon request on 2"dials.

Dimensions

2" with Front Flange



2.5" with Front Flange



Ordering Code TSP

TSP - - -

Case Size

2" 20
2.5" 25

Capillary Length

4 feet (standard) 4
5 feet 5
6 feet 6
7 feet 7
8 feet 8
9 feet 9

Temperature Scale

F F
C C