

# TDS Infrared Thermometer

## Description & Features

- A portable “point and shoot” thermometer that measures remote surface temperatures
- Scale readout (F or C)
- One hand operated
- Auto power off feature to conserve battery
- 9 volt battery powered
- Fast response time (0.25 seconds)

## Applications

- To measure a remote surface temperature on bearings, electrical panels, assembly line machines, pumps and concrete construction

## Specifications

**Housing Material**  
ABS

**Dimensions**  
5.8"(h) X 4.1"(w) X 1.68"(d) (148mm X 105mm X 42mm)

**Temperature Range**  
-22°F to 1022°F (-30 °C to 550 °C)

**Accuracy**  
±2.0% of reading

**Response Time**  
0.25 seconds

**Field of View**  
10:1 with laser mark

**Sensor Thermopile**  
6-14um

**Fixed Emissivity(E)**  
0.95

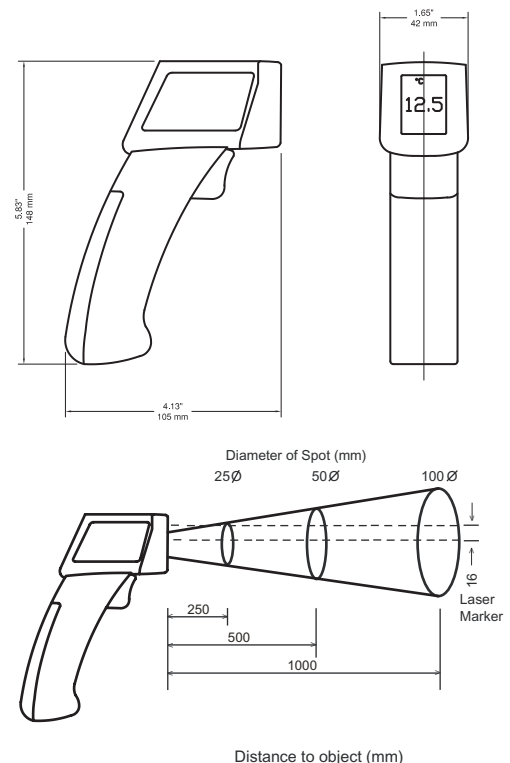
**Laser Safety**  
Class 2 use less than 1 milliwatt of power and project up to 50 feet away

**Auto Power Off**  
10 seconds

**Battery**  
9 volt



## Dimensions



Spot size increases with distance from the probe tip as shown.

## Ordering Code TNC

TNC – 100