

TMT Surface Magnet Thermometer

Description & Features

- Provides an economical and accurate method to measure the temperature on a flat metallic surface
- 2" dial
- Dual scale (F/C)
- 3 ranges available
- Easy to install

Applications

- Ductwork or motor housings



Specifications

Dial Size

2" (50mm) aluminum with black and red markings,

Case

Steel, painted black

Lens Material

Glass

Pointer

Aluminum, painted black

Movement

Bi-Metallic coil

Ambient/Process Temperature

Recommended maximum 75% of full scale value

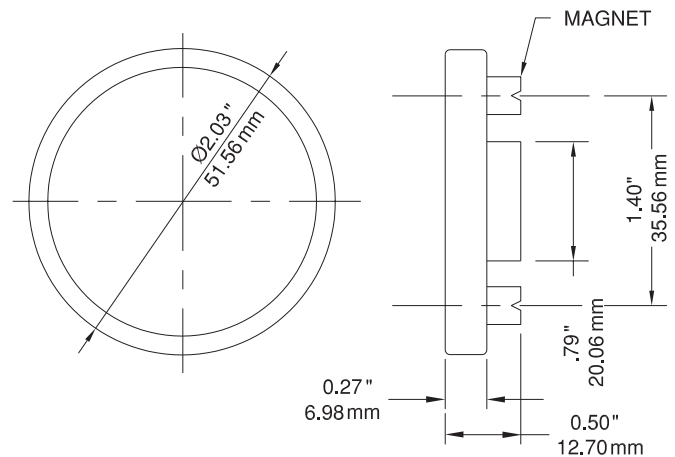
Accuracy

±2.0% of full scale value

Enclosure

IP 52

Dimensions



Ordering Code TMT

TMT -

Range	
0/250 C (-20/120 C)	25
0/500 C (-15/260 C)	50
50/750 C (10/400 C)	75