

## Description & Features

- Measures both pressure and temperature on the same dial
- 2.5" & 3" dials
- Dual scale (F/C)
- Back or bottom connection
- Brass wetted parts
- 2" stems
- Multiple pressure ranges available

## Applications

- Hot water and steam pressure for Boilers



## Specifications

### Dial Size

2.5" (63mm) painted white background,  
3" (75mm) aluminum, painted white background

### Case

Steel, painted black

### Lens

2.5" (63mm)-plexiglass, 3" (75mm)-glass

### Ring

2" (50mm)-steel, 3" (75mm)-stainless steel

### Pointer

Aluminum, anodized black

### Socket Material

Brass

### Stem Material

Brass

### Bourdon Tube Material

Brass

### Movement

Brass

### Enclosure Rating

IP 52

### Welding

Tin-alloy solder

### Ambient Temperature

23°F to 122°F (5°C to 50°C)

### Process Temperature

Recommended 2/3 of full scale range

### Pressure Limit

Recommended 2/3 of full scale range

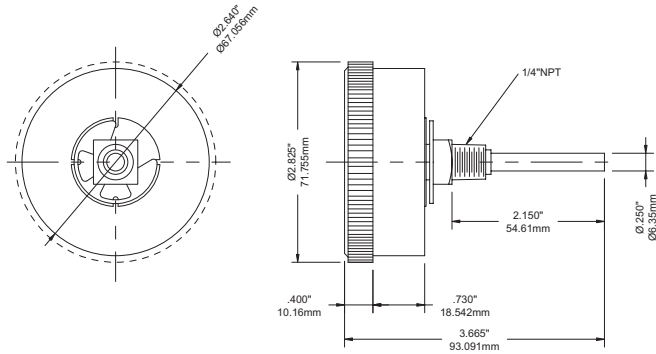
### Accuracy

Pressure:  $\pm 3\%$ - $2\%$ - $3\%$

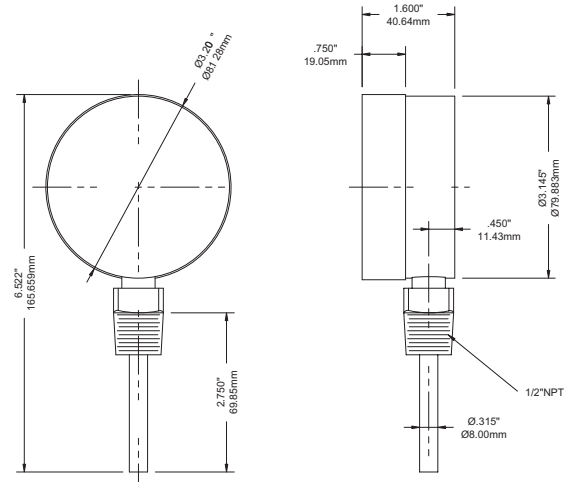
Temperature:  $\pm 3\%$  of full scale range

## Dimensions

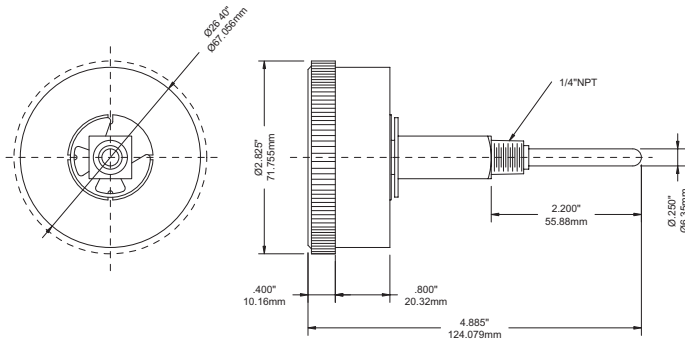
### 2.5" Back Connection



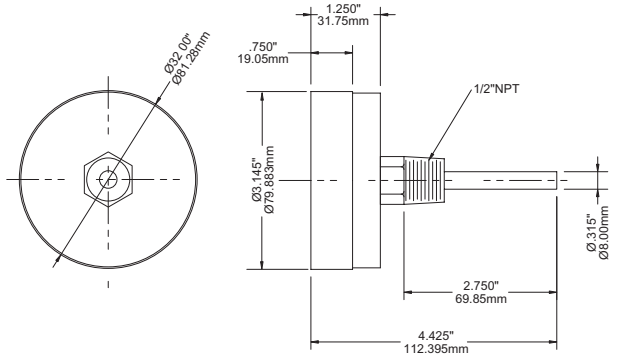
### 3" Bottom Connection



### 2.5" Extension Back Connection



### 3" Back Connection



## Ordering Code TTD

TTD - [ ] - [ ] - [ ] - [ ] - [ ]

### Dial Size

2.5" ..... 2  
3" ..... 3

### Configuration

2.5" extension back ..... K  
Bottom ..... T

### Thread Size

1/4" ..... 4  
3/8" ..... 3  
1/2" ..... 2  
Special ..... Z

### Thread Type

NPT ..... N  
BSP ..... B  
BSPT ..... T  
M20 x 1.5 ..... M

### Range

0-75psi/kPa, 60-320F&C ..... B 1  
0-75psi/kPa, 30-240F&C ..... B 2  
0-200psi/kPa, 30-240F&C ..... B 3  
0-100psi/kPa, 30-240F&C ..... B 4  
0-250psi/kPa, 60-240F&C ..... B 5