

Specific&Performance

- Pressure range: -1...0 bar, 0...1 bar, 0...400 bar
- Wetted parts : Tantalum, Titanium, Hastelloy C
- Medium temperature: -40...350 °C
- ASME B16.5 & EN1092-1 flange are available

Application

- Isolate medium and pressure gauge for protection
- Suitable for corrosive media, thick media and media with solid particles



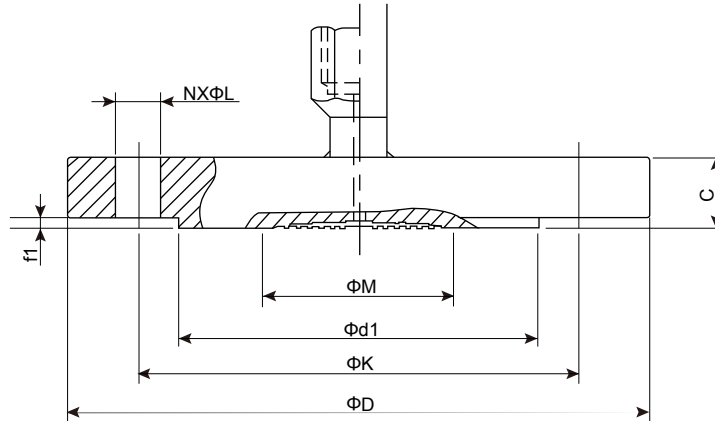
Specification

Flange material	Standard: 316LSS	
	Option: 316LSS with ETFE coated, Tantalum, Titanium, Hastelloy C, Monel	
Diaphragm material	Standard: 316LSS	
	Option: 316LSS with ETFE coated, Tantalum, Titanium, Hastelloy C, Monel	
Gauge connection	M20*1.5 F	
Flange size	ASME B16.5 & HG/T 20165	EN1092-1 & HG/T 20592
	1"…4", 150#…2500#	DN25…DN100, PN10…PN160
Filled fluid	Code L: low temperature silicone oil(optional)	-40…150 °C
	Code B: silicone oil(standard)	-30…170 °C
	Code F: high temperature Synthetic oil(optional)	-20…350 °C

Min pressure range

Diaphragm diameter(mm)	Gauge pressure(bar)	Absolute pressure(bar)
35.5	0...1.6	-1...0.6
42	0...1	-1...0
48	0...1	-1...0
65.5	0...1	-1...0

Dimensions(mm)



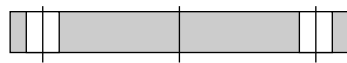
ASME B16.5 or HG/T 20615 RF standard size(mm)

DN	Class	D	K	d1	C	f1	N	L	M
1"	150	110	79.4	50.8	14.7	2	4	16	35.5
	300	125	88.9	50.8	17.9	2	4	19	35.5
1.5"	150	125	98.4	73	17.9	2	4	16	42
	300	155	114.3	73	21.1	2	4	22	42
	600	155	114.3	73	29.3	7	4	22	42
	1500	180	123.8	73	38.8	7	4	29	42
	2500	205	146	73	51.5	7	4	32	42
2"	150	150	120.7	92.1	19.5	2	4	19	48
	300	165	127	92.1	22.7	2	8	19	48
	600	165	127	92.1	32.4	7	8	19	48
	1500	215	165.1	92.1	45.1	7	8	26	48
	2500	235	171.4	92.1	57.9	7	8	29	48
3"	150	190	152.4	127	24.3	2	4	19	65.5
	300	210	168.3	127	29	2	8	22	65.5
	600	210	168.3	127	38.8	7	8	22	65.5
	900	240	190.5	127	45.1	7	8	26	65.5
	1500	265	203.2	127	54.7	7	8	32	65.5
	2500	305	228.6	127	73.7	7	8	35	65.5
4"	150	230	190.5	157.2	24.3	2	8	19	65.5
	300	255	200	157.2	32.2	2	8	22	65.5
	600	275	215.9	157.2	45.1	7	8	26	65.5
	900	290	235	157.2	51.5	7	8	32	65.5
	1500	310	241.3	157.2	61	7	8	35	65.5
	2500	355	273	157.2	83.2	7	8	42	65.5

EN1092-1 or HG/T 20592 RF standard size(mm)

DN	PN	D	K	d1	C	f1	N	L	M
25	10/40	115	85	68	18	2	4	14	35.5
	63/100	140	100	68	24	2	4	18	35.5
40	10/40	150	110	88	18	2	4	18	42
	63/100	170	125	88	26	2	4	22	42
	160	170	125	88	28	2	4	22	42
50	10/40	165	125	102	20	2	4	18	48
	63	180	135	102	26	2	4	22	48
	100	195	145	102	28	2	4	26	48
	160	195	145	102	30	2	4	26	48
80	10/16	200	160	138	20	2	8	18	65.5
	25/40	200	160	138	24	2	8	18	65.5
	63	215	170	138	28	2	8	22	65.5
	100	230	180	138	32	2	8	26	65.5
	160	230	180	138	36	2	8	26	65.5
100	10/16	220	180	158	20	2	8	18	65.5
	25/40	235	190	162	24	2	8	22	65.5
	63	250	200	162	30	2	8	26	65.5
	100	265	210	162	36	2	8	30	65.5
	160	265	210	162	40	2	8	30	65.5

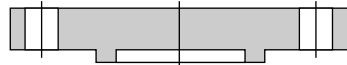
Sealing Type



FF



RF



T



G



M



FM



RJ

D39 ordering code

	Code	Specification
1.	<input type="text"/>	D39 Series
		Flange standard
2.	<input type="text"/>	A ASME B16.5
		E EN1092-1
		C HG/T 20615-2009
		P HG/T 20592-2009
		Flange size
3.	<input type="text"/>	ASME B16.5 or HG/T 20615-2009
		10 1"
		15 1.5"
		20 2"
		30 3"
		40 4"
		EN 1092-1 or HG/T 20592-2009
		D DN25
		E DN40
		F DN50
		G DN80
		H DN100
		Flange rating
4.	<input type="text"/>	ASME B16.5 or HG/T 20615-2009
		5 Class 150
		3 Class 300
		6 Class 600
		9 Class 900 (not available for 1")
		1 Class 1500 (not available for 1")
		2 Class 2500 (not available for 1")
		EN 1092-1 or HG/T 20592-2009
		L PN 10
		P PN 16
		K PN 25
		S PN 40
		V PN 63
		B PN 100
		C PN160
		Sealing type
5.	<input type="text"/>	R RF
		F FF
		N FM
		M M
		S T
		G G
		T RJ

D39 ordering code

		Code	Specification
		Diaphragm material	
6.	<input type="text"/>	L	316LSS
		P	316LSS with ETFE coated, thickness 10µm, temperature -20...150 C
		H	Hastelloy C
		A	Tantalum
		M	Monel
		T	Titanium
		Wetted parts(without diaphragm)	
7.	<input type="text"/>	L	316LSS
		P	316LSS with ETFE coated, thickness 10µm, temperature -20...150 C
		H	Hastelloy C
		A	Tantalum
		M	Monel
		T	Titanium
		Capillary	
8.	<input type="text"/>	D	None
		1	1m 304SS Capillary
		2	2m 304SS Capillary
		4	4m 304SS Capillary
		6	6m 304SS Capillary
		8	8m 304SS Capillary
		Filled fluid	
9.	<input type="text"/>	B	Standard silicon oil (-30...170 C)
		L	Low temperature silicon oil (-40...150 C)
		F	High temperature synthetic oil(-20...350 C)
		Option	
10.	<input type="text"/>	FP	Foil PTFE on wetted parts
		TI	Titanium flange material
		TA	Tantalum flange material