

PEM Economy Gauge

Description & Features

- Most economical all-purpose pressure gauge
- 1.5" (40mm) to 6" (150mm)
- Steel painted black/steel chrome plated rings
- Black steel case
- Brass internals
- $\pm 3\%$ - 2% accuracy

Applications

- Plumbing, heating, air conditioning, pneumatic, hydraulic, water tanks, air compressors, OEM

Specifications

Dial Size

1.5" (40mm), 2" (50mm), 2.5"(63mm), 4"(100mm), 6"(150mm)
white aluminum with black and red markings

Pressure Range

From vacuum to 0...5000 psi (0...350 bar)

Case Material

Steel, painted black (plastic available)

Lens Material

1.5"(40mm), 2" (50mm) and 2.5"(63mm): polycarbonate
4"(100mm), 6"(150mm): glass

Ring Material

6"(150mm):
steel, painted black;
1.5" (40mm), 2" (50mm), 2.5"(63mm), 4"(100mm):
chrome electroplated or steel painted black

Pointer

Aluminum, painted black

Bourdon Tube

Phosphor bronze

Movement

Brass

Socket Material

Brass



Connection

1/8", 1/2", 1/4" NPT standard

Protection

IP 52

Working Pressure

Maximum 75% of full scale value

Over-pressure

25% of full scale value

Ambient Temperature

-40°F to 150°F (-40°C to 65°C)

Process Temperature

-40°F to 150°F (-40°C to 65°C)

Accuracy

$\pm 3\%$ - 2% ANSI/ASME Grade B

Welding

Tin soldering or silver alloy

Options

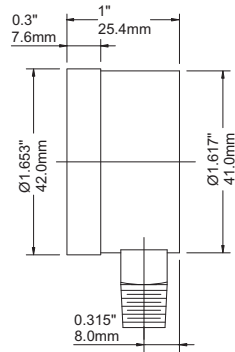
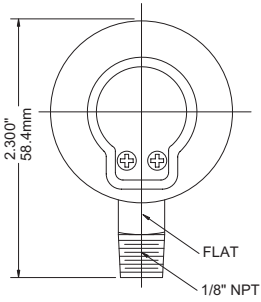
Maximum adjustable pointer

Order Information

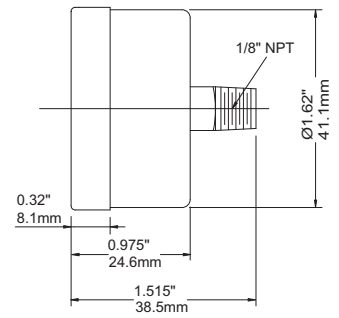
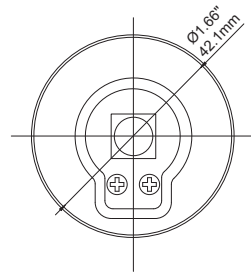
Series/ Dial Size/ Case Materials/ Wetted Parts/ Configuration/ Connection Size/ Thread/ Range/ Option

Dimensions

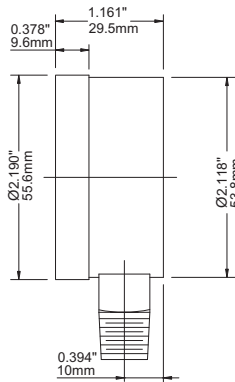
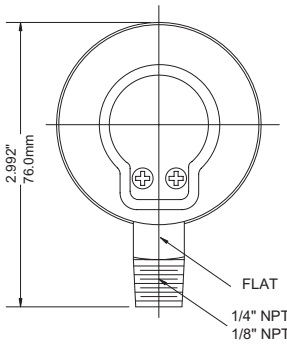
1.5" Bottom Connection



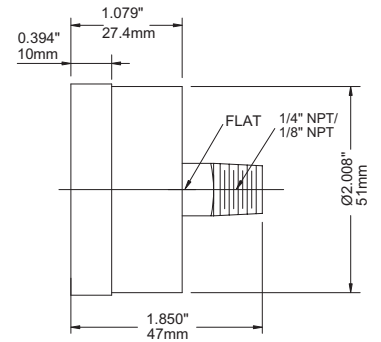
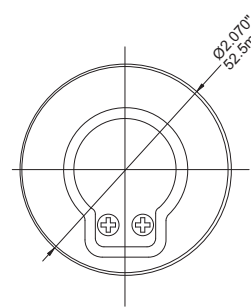
1.5" Back Connection



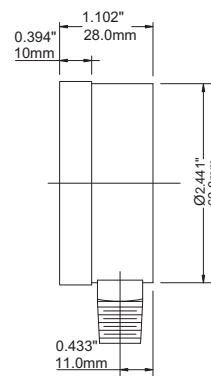
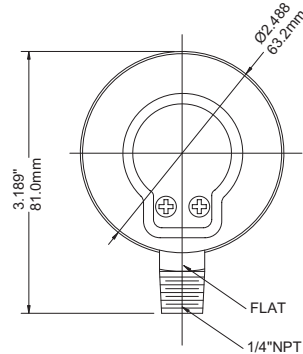
2" Bottom Connection



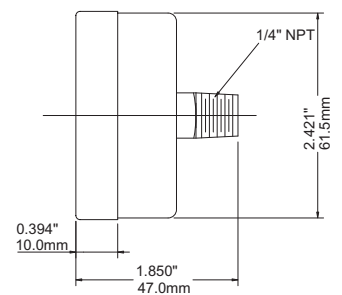
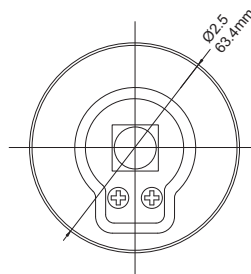
2" Back Connection



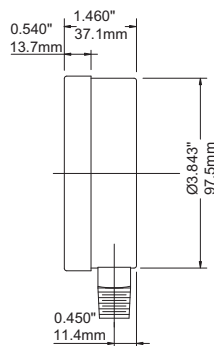
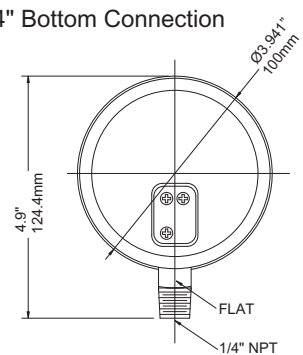
2.5" Bottom Connection



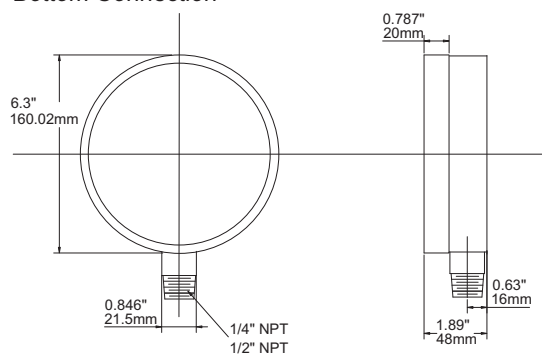
2.5" Back Connection



4" Bottom Connection



6" Bottom Connection



PEM Economy Gauge

Ordering Code PEM Series

Field No.	Code	Specifications						
1.	PEM	Series						
Dial Size								
2.	15	1.5" (40mm)						
	20	2.0" (50mm)						
	25	2.5" (63mm)						
	40	4.0" (100mm)						
	60	6.0" (150mm)						
Case Materials								
3.	Y	Steel painted black						
Ring								
4.	B	Steel painted black						
	Z	Steel chrome plated						
Wetted Parts								
5.	B	Brass						
	Z	Special						
Configuration								
6.	A	Bottom connection, stem mounting						
	B	Bottom connection, back flange, surface mounting						
	D	Back connection, stem mounting						
	Z	Special						
Connection								
7.	8	1/8"						
	4	1/4"						
	3	3/8"						
	2	1/2"						
	Z	Special						
Thread								
8.	N	NPT						
	B	BSP (G)						
	T	BSPT (R)						
	F	M14X1.5						
	M	M20X1.5						
	Z	Special						
9.		Range (XXXX)						
Standard Ranges								
MPa	-0.1/0	-0.1/0.9	0/0.1	0/1	0/10			
	-0.1/0.06	-0.1/1.5	0/0.16	0/1.6	0/16			
	-0.1/0.15	-0.1/2.4	0/0.25	0/2.5	0/25			
	-0.1/0.3		0/0.4	0/4	0/40			
	-0.1/0.5		0/0.6	0/6				
bar	-1/0	-1/9			0/1	0/10	0/100	
	-1/0.6	-1/15			0/1.6	0/16	0/160	
	-1/1.5	-1/24			0/2.5	0/25	0/250	
	-1/3				0/4	0/40	0/400	
	-1/5				0/6	0/60		
psi	30"/0		0/15	0/160	0/600	0/3000		
	30"/0/15		0/30	0/200	0/1000	0/5000		
	30"/0/30		0/60	0/300				
	30"/0/60		0/100	0/400				
	30"/0/100							
kg/cm ²	-1/0	-1/9	0/1	0/10	0/100			
	-1/0.6	-1/15	0/1.6	0/16	0/160			
	-1/1.5	-1/24	0/2.5	0/25	0/250			
	-1/3		0/4	0/40	0/400			
	-1/5		0/6	0/60				

Continued on the following page

Continued from the previous page

Ordering Code PEM Series

Field No.	Code	Specifications																																																				
		<table border="1"> <thead> <tr> <th colspan="8">Range (XXXX)</th> </tr> <tr> <th colspan="8">Standard Ranges</th> </tr> </thead> <tbody> <tr> <td rowspan="5">kPa</td> <td>-100/0</td> <td>-100/900</td> <td></td> <td></td> <td>0/100</td> <td>0/1000</td> <td></td> </tr> <tr> <td>-100/60</td> <td>-100/1500</td> <td></td> <td></td> <td>0/160</td> <td>0/1600</td> <td></td> </tr> <tr> <td>-100/150</td> <td>-100/2400</td> <td></td> <td></td> <td>0/250</td> <td>0/2500</td> <td></td> </tr> <tr> <td>-100/300</td> <td></td> <td></td> <td></td> <td>0/400</td> <td>0/4000</td> <td></td> </tr> <tr> <td>-100/500</td> <td></td> <td></td> <td></td> <td>0/600</td> <td>0/6000</td> <td></td> </tr> </tbody> </table>	Range (XXXX)								Standard Ranges								kPa	-100/0	-100/900			0/100	0/1000		-100/60	-100/1500			0/160	0/1600		-100/150	-100/2400			0/250	0/2500		-100/300				0/400	0/4000		-100/500				0/600	0/6000	
Range (XXXX)																																																						
Standard Ranges																																																						
kPa	-100/0	-100/900			0/100	0/1000																																																
	-100/60	-100/1500			0/160	0/1600																																																
	-100/150	-100/2400			0/250	0/2500																																																
	-100/300				0/400	0/4000																																																
	-100/500				0/600	0/6000																																																
10.	SJ	<table border="1"> <thead> <tr> <th colspan="2">Options</th> </tr> </thead> <tbody> <tr> <td></td> <td>Maximum adjustable pointer</td> </tr> </tbody> </table>	Options			Maximum adjustable pointer																																																
Options																																																						
	Maximum adjustable pointer																																																					