

## Specific&Performance

- Intelligent transmitter
- Pressure range: From 0-1 kPa to 0-60 MPa
- ATEX Exd IICT6 available
- Sensor fully welded

## Application

- Petrochemical
- Aeronautics and Astronautics
- Power station
- laboratory



## Specification

<b>Sensor technology</b>	Piezoresistive				
<b>Pressure range</b>	Minimum 1 kPa, Maximum 60 MPa				
<b>Accuracy (25°C)</b>	0.2% FSO (typical), 0.1%, 0.05% FSO (option)				
<b>Zero thermo drift</b>	≤0.02% of span per°C				
<b>Span thermo drift</b>	≤0.02% of span per°C				
<b>Long term drift</b>	0.1% of span per year				
<b>Zero point adjustment</b>	50% of range				
<b>IP protection</b>	IP65 or IP67 (Depending on electrical connection)				
<b>Temperature</b>	Compensation temperature	Ambient temperature	Storage temperature		
	-20-85°C	-40-85°C	-40-125°C		
<b>Output signal</b>	4-20mA 2-wire, 4-20mA with HART protocol, RS485(Modbus-RTU), 0-10V 3-wire, 1-5V 3-wire				
<b>Supply voltage</b>	12-30VDC, typical 24VDC				
<b>Load in Ω</b>	Current output: $RL \leq (U_s - 12V) / 20mA$ ; Output signal: $RL \geq 20K$				
<b>Electrical protection</b>	Reversed polarity	Short circuit	Resist voltage		
	Protected	Protected	42V		
<b>Vibration resistance</b>	20g, 20Hz...5kHz				
<b>Shock resistance</b>	100g, 11mS				
<b>Insulation resistance</b>	> 100MΩ under 500VDC				
<b>Process connection</b>	Pleaser refer the ordering code				
<b>Service life</b>	10million load cycles				
<b>Response time (10%...90%)</b>	≤150mS				
<b>Material</b>	Housing	Thread material	Diaphragm	O-ring <sup>①</sup>	Cable
	316 SS	304 SS or 316L SS	316L SS	FKM	PUR

Note ①: Only available for process connection "5"

### Pressure Range

#### Rel pressure (unit bar)

Pressure range	0-0.1	0-0.16	0-0.25	0-0.4	0-0.6
Over pressure	0.5	0.5	0.5	2	2
Burst pressure	1	1	1	4	4
Ordering code	12	13	14	15	16
Pressure range	0-1	0-1.6	0-2.5	0-4	0-6
Over pressure	2	4	10	10	10
Burst pressure	3	6	15	15	15
Ordering code	17	18	19	20	21
Pressure range	0-10	0-16	0-25	0-40	0-60
Over pressure	20	32	50	80	100
Burst pressure	30	48	75	120	120
Ordering code	22	23	24	25	26
Pressure range	0-100	0-160	0-250	0-400	0-600
Over pressure	200	320	500	600	900
Burst pressure	300	480	750	800	1200
Ordering code	27	28	29	30	31

#### Abs pressure (unit bar)

Pressure range	0-0.1	0-0.16	0-0.25	0-0.4	0-0.6
Over pressure	0.5	0.5	0.5	2	2
Burst pressure	1	1	1	4	4
Ordering code	12	13	14	15	16
Pressure range	0-1	0-1.6	0-2.5	0-4	0-6
Over pressure	2	4	10	10	10
Burst pressure	3	6	15	15	15
Ordering code	17	18	19	20	21
Pressure range	0-10	0-16	0-25	0-40	0-60
Over pressure	20	32	50	80	100
Burst pressure	30	48	75	120	120
Ordering code	22	23	24	25	26

### Pressure Range

#### Vaccum pressure (unit bar)

<b>Pressure range</b>	-0.1-0	-0.16-0	-0.25-0	-0.4-0	-0.6-0
<b>Over pressure</b>	0.5	0.5	0.5	2	2
<b>Burst pressure</b>	1	1	1	4	4
<b>Ordering code</b>	51	52	53	54	55

<b>Pressure range</b>	-1-0	-1-0.6	-1-1.5	-1-3	-1-5
<b>Over pressure</b>	2	4	10	10	10
<b>Burst pressure</b>	3	6	15	15	15
<b>Ordering code</b>	56	57	58	59	60

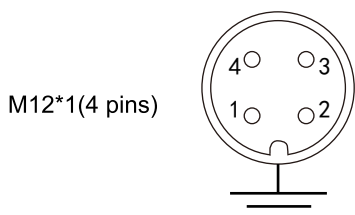
<b>Pressure range</b>	-1-9	-1-15	-1-24	-1-39	
<b>Over pressure</b>	20	32	50	80	
<b>Burst pressure</b>	30	48	75	120	
<b>Ordering code</b>	61	62	63	64	

## Electrical connection

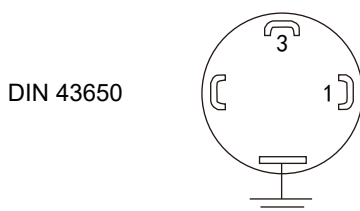
“-”means non

	Connection thread	Cable dia (mm)	IP protection	Code
DIN 43650	-	6-8	IP65	D1
M12*1(4 pins)	M12*1	-	IP67	D2
1m cable	-	7.5	IP65	T3
Filed housing	M20*1.5	6-8	IP67	T4 or T5

## Connection pins



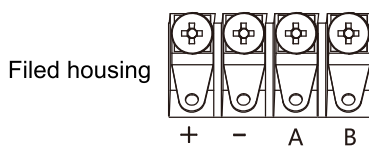
Pin	2-wire	3-wire	4-wire
1	Power“+”	Power“+”	Power“+”
2		Signal “+”	Signal“+”
3			Signal“-”
4	Power“-”	Power“-”	Power“-”



Pin	2-wire	3-wire
1	Power“+”	Power“+”
2	Power“-”	Power“-”
3		Signal“+”

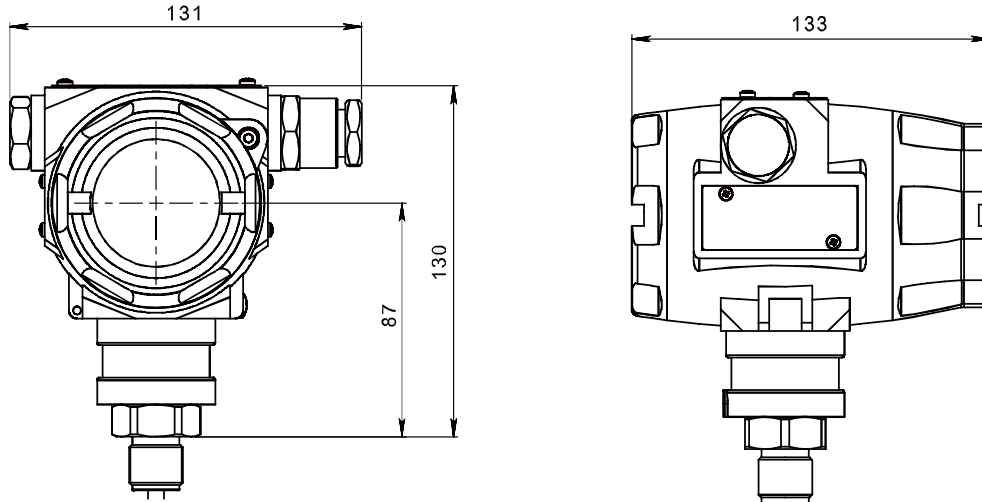


Pin	2-wire	3-wire	4-wire
Red	Power“+”	Power“+”	Power“+”
Black	Power“-”	Power“-”	Power“-”
Blue		Signal“+”	Signal“+”
Yellow			Signal“-”

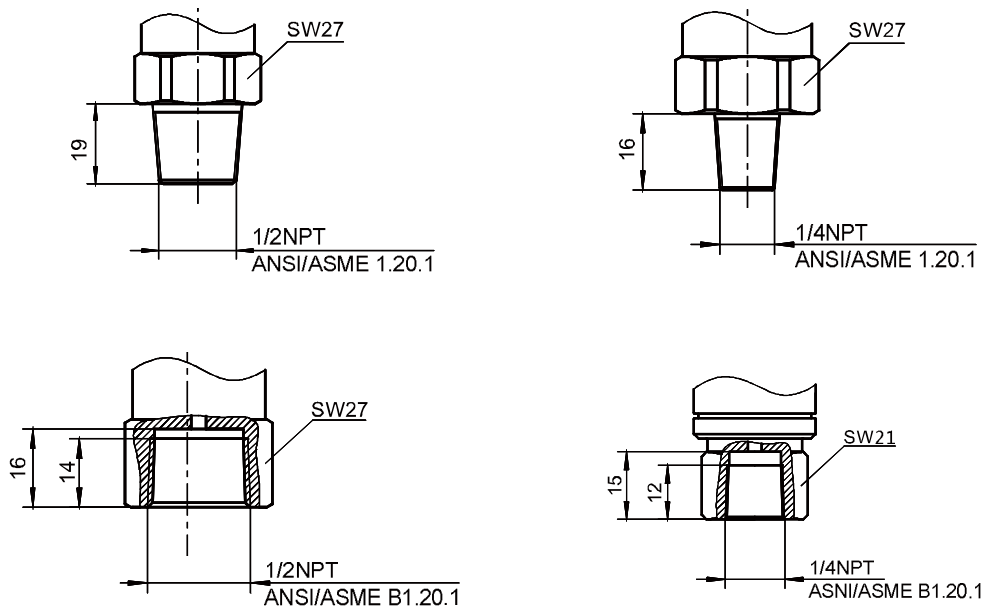


Pin	2-wire	3-wire	4-wire
+	Power“+”	Power“+”	Power“+”
-	Power“-”	Power“-”	Power“-”
A		Signal“+”	Signal“+”
B			Signal“-”

### Dimensions (mm)



### Thread dimensions (mm)



### LY16 Ordering code

	Code	Specification
1.	LY16	Series
2.	G	Pressure type Rel
	A	Abs
3.	XXXX	Pressure range Please refer the pressure range on Page 2
4.	1	Output signal 4-20mA 2-wire
	2	4-20mA with HART protocol
	7	0-10V 3-wire
	5	1-5V 3-wire
	R	RS-485 MODBUS-RTU
5.	2	Accuracy 0.2% FSO
	1	0.1% FSO
	3	0.05% FSO
6.	D1	Electrical connection DIN 43650
	D2	M12*1 (4 pins)
	T3	1m cable
	T4	filed housing, without LCD display
	T5	filed housing, with LCD display
7.	S	ATEX Standard
	X	Exd IICT6 (unavailable for voltage output)
8.	4	Thread material 304 SS
	6	316L SS
9.	1	Process connection G1/2" EN837
	2	G1/4" EN837
	3	1/2"NPT
	4	1/4"NPT
	5	G1/4" DIN3852 (pressure≤600bar)
	6	M20*1.5

### Accessories ordering code

1.	<input type="text"/>	M12*1 4 pins cable			
			1m cable	2m cable	5m cable
		Straight	1101	1102	1105
		90° angel	2201	2202	2205

2.	<input type="text"/>	Gasket			
			Brass	SS	FKM
		G1/2" EN837	5501	5502	
		G1/4" EN837	5503	5504	
		M20*1.5	5505	5506	
		G1/4" DIN3852		4403	